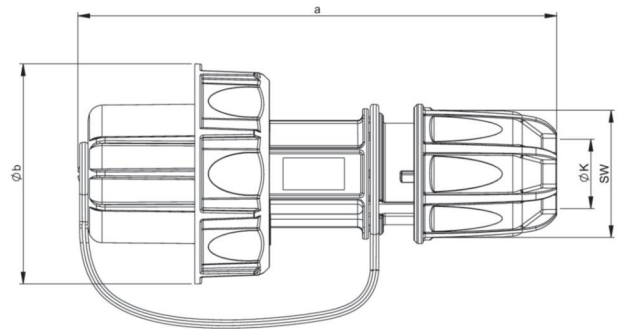
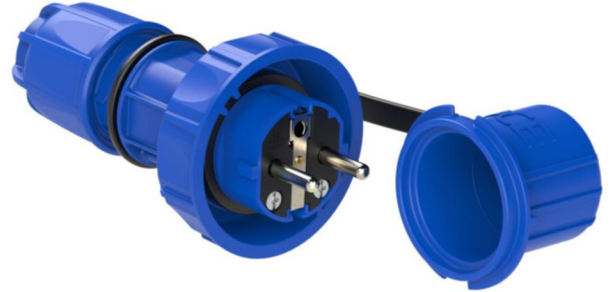


article#	20051-b
article description	Plug with protection cap IP66/68 (blue)
description long	Safety plug with protection cap series NAUTILUS housing material: PC/ABS color: blue connection technology: screw terminal system: 2-earthing systems (Austrian/German and French/Belgian) contacts: nickel plated 250V~ / 16A / 2P+E protection rating: IP66/68 watertight (2bar/2h)
GTIN (EAN)	9003399244391
country of origin	AT
customs number	85366990
net weight	0.120 kg
packaging quantity	10
minimum order quantity	10

ETIM 9.0	EC000242
Model	Hybrid plug CEE 7/7 (type E/F)
Protective contact	Earthing clips
Material	Plastic
Material quality	Thermoplastic
Degree of protection (IP)	IP68
Insert direction	Straight
Connection system	Screwed terminal
Colour	Blue
Number of poles	3
Nominal voltage	250 V
Nominal current	16 A
For heavy conditions according to VDE	True

a	144 mm
b	65 mm
K (cable Ø)	6-19 mm
SW	38 mm
wire flexible	1-2,5 mm ²
contact screws	100 Ncm
strain relief	400 Ncm
dismantling length	30 mm
stripping length	7 mm
ambient temperature	-25 – 40 °C
IK-code *)	IK07



*) The IK-test is not part of the IEC 60309 standard for industrial plugs and socket-outlets or the IEC 60884 standard for household plugs and socket-outlets. PC Electric GmbH has therefore tested the IK-codes of these products in accordance with IEC 62262 and according to the test method of IEC 60068-2-75 Ehc, with conditioning for 48 hours at 40°C and a relative humidity of 95%.

<https://www.pcelectric.at/shop/en/?func=detail&artnr=20051-b>