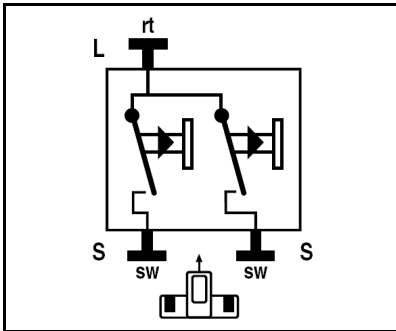
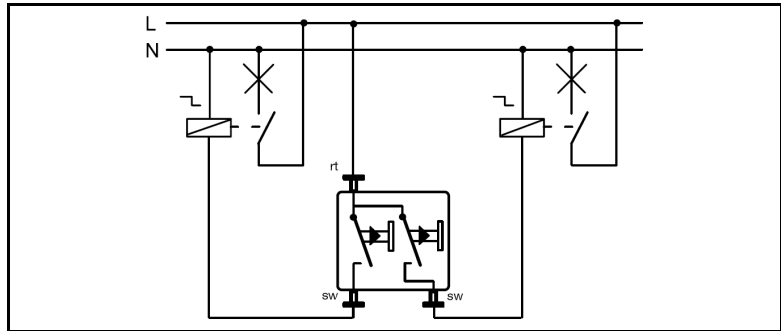


Description: 2-gang push-button (1-pole, 1-way)

Ref.-no.: 535 U



Contact assignments



Wiring diagrams  
535 U

## Technical data

Switching voltage:	AC 250 V ~
Switching current:	10 A
Connection:	screwless terminals
Switch type:	1-pole, 1-way