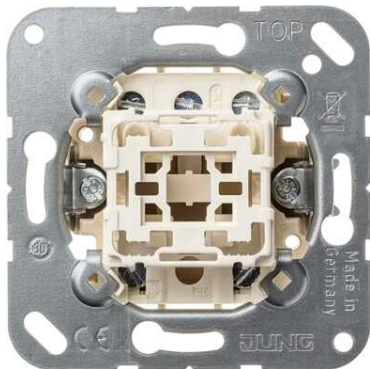


1-gang multi push-button (insert), 1-pole, 2-way push-button with 2 x 2 NO contacts, rocker in neutral position, 10 A 250 V ~



Reference number:	531-41 U
EAN/GTIN:	4011377062351

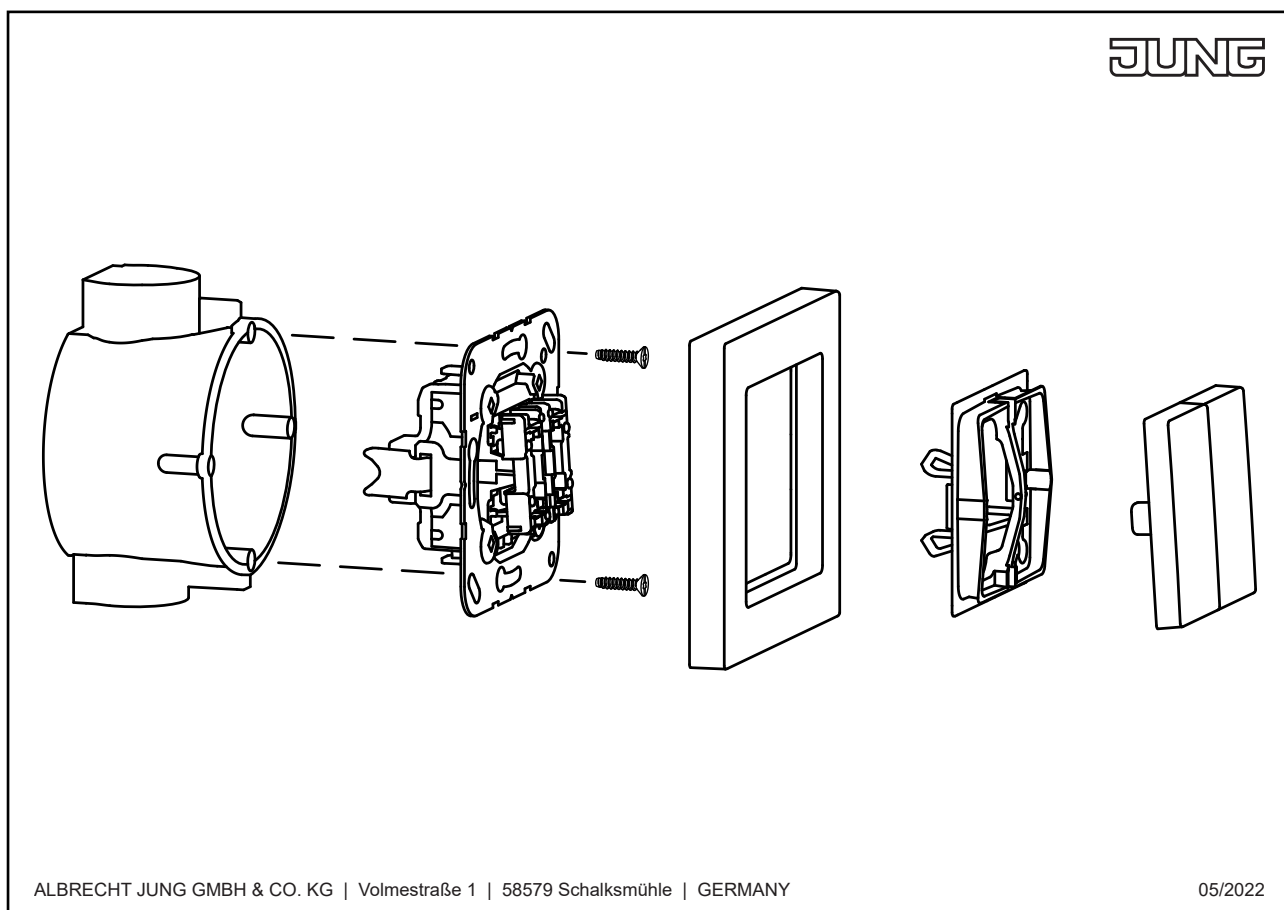
1-gang multi push-button (insert), 531-41U
with screw terminals for rigid and flexible wires up to 2.5 mm²

without claws: ref.-no. with additional "E", e.g.: 531-41 EU

When the upper or lower half of the rocker is actuated, two contacts are closed simultaneously.
Especially designed as controller for wirings with relays, e.g. in combination with relay station ref.-no. RS 8 REGHE.
No electrical/mechanical interlocking.

Only recommended for CD and LS ranges (except metal versions).

Assembly



Notice!

Installation only by persons with relevant electrical knowledge and experience!*)

Use only with original JUNG product components approved for this article.

By inappropriate installation you endanger

- your own life,
- the life of the user of the electrical appliance.

By inappropriate installation you risk a high loss by damage, e.g. risk by fire.

You assume personal liability in cause of injury to persons or damage of appliances.

Please contact a skilled electrician!

***) Required technical knowledge for installation:**

For installation, especially the following technical knowledge is required:

- the 5 important safety rules: disconnect from mains, secure against reconnecting, verify parts are free of voltage, ground and short-circuit, cover or block off adjacent live parts
- select adequate tools, measuring devices and personal protective equipment
- evaluate measuring results
- selection of the electrical installation material to secure switch-off conditions
- IP protection levels
- installation of the electrical installation material
- type of electric power grid (TN system, IT system, TT system) and the resultant connection terms (common grounding, protective ground, required additional action etc.)