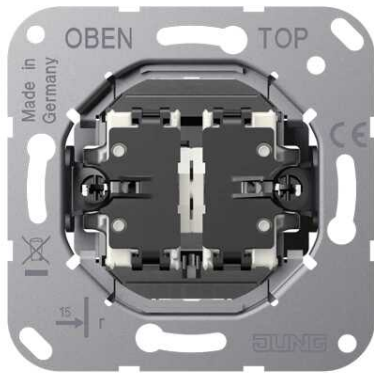


**2-gang toggle push-button insert, 2 x 1-pole, 1-way NO contact, without claws, 10 A**



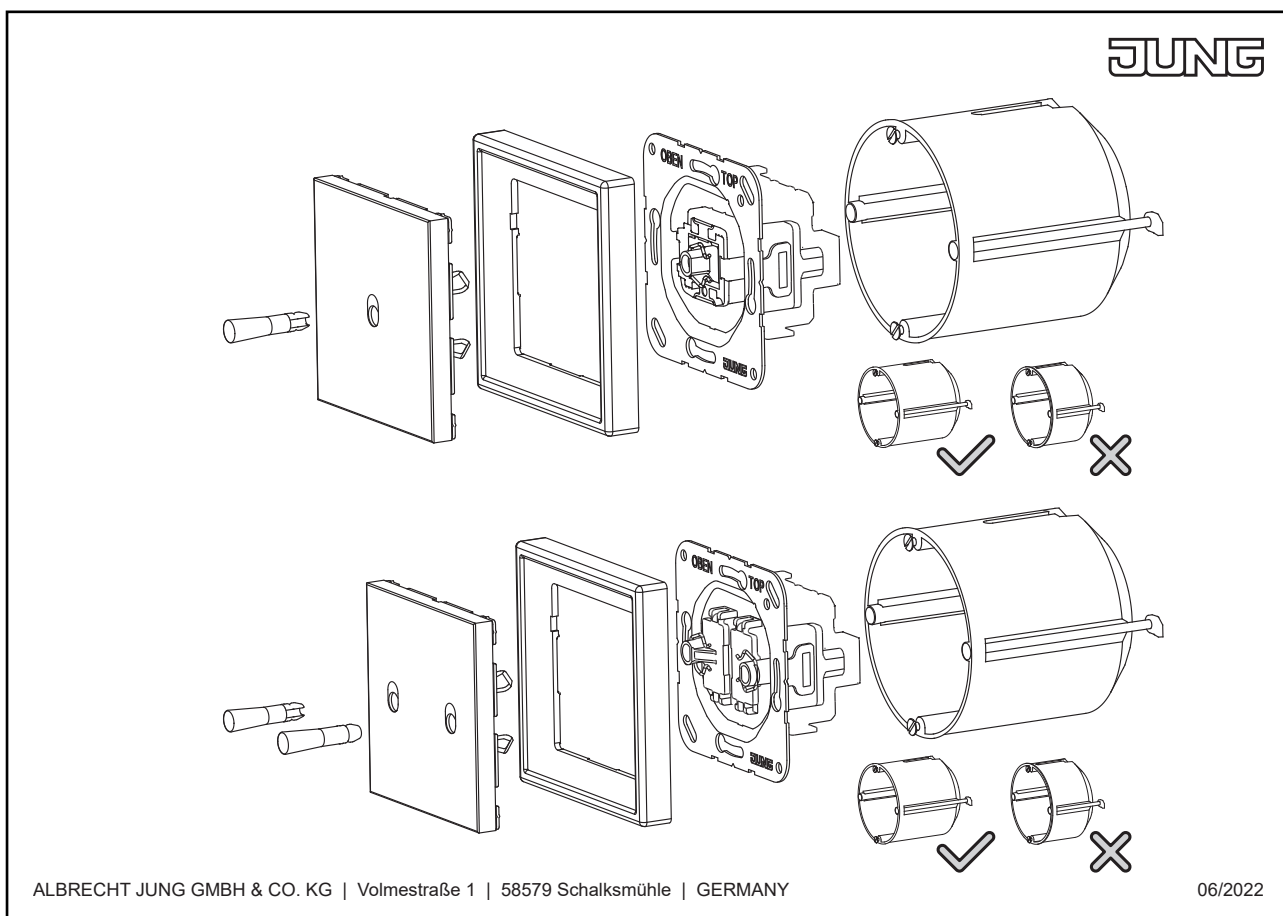
Reference number:	K 535 EU
EAN/GTIN:	4011377176911

2-gang toggle push-button insert, K535EU  
with screwless terminals for rigid wires up to 2.5 mm<sup>2</sup>

screw fixing only, without claws  
depth of flush box (inner dimension): min. 43 mm

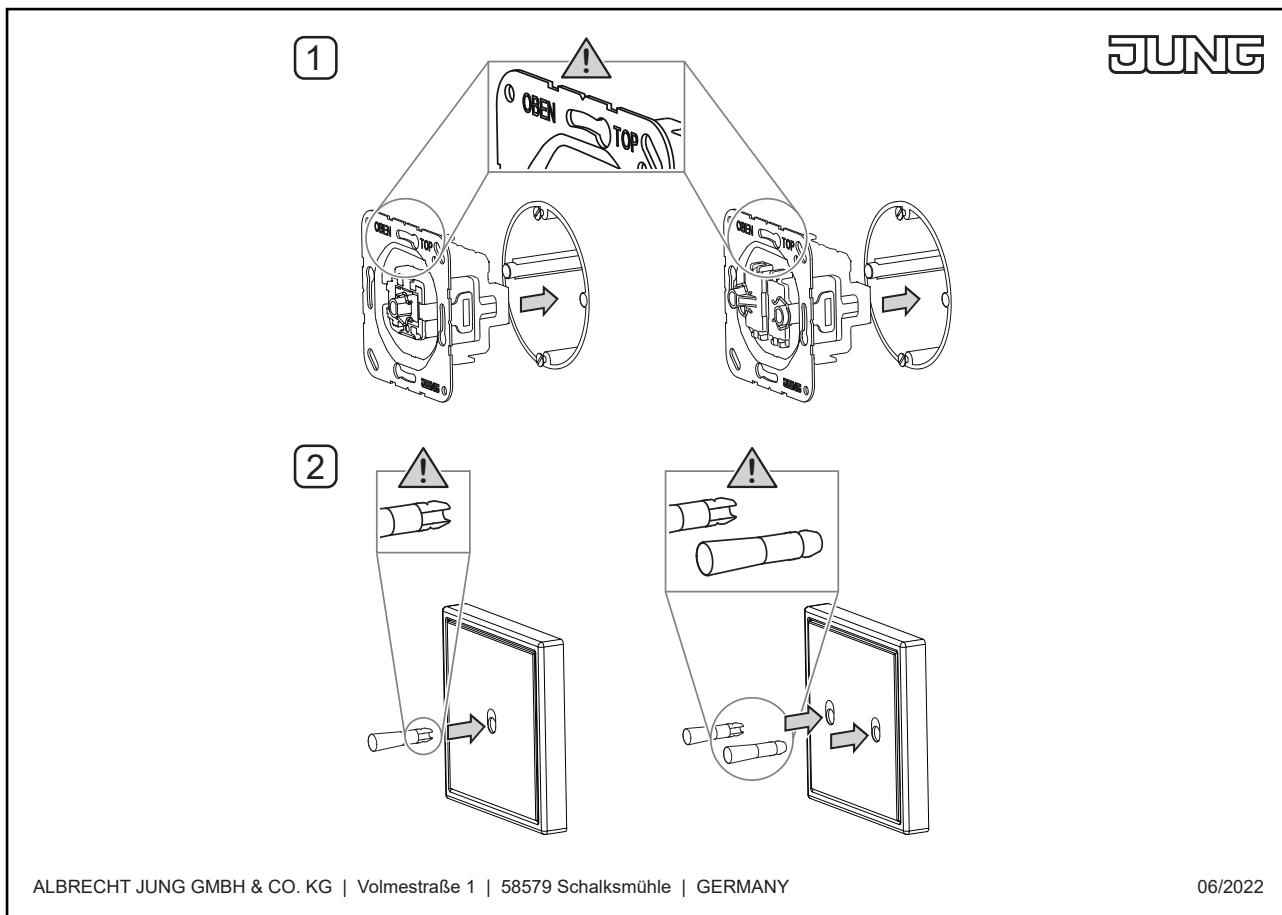
for centre plates with toggle lever ref.-no.: ..I2-5.., ..I2-250.., ..I2-25..

Assembly



ALBRECHT JUNG GMBH & CO. KG | Volmestraße 1 | 58579 Schalksmühle | GERMANY

06/2022



ALBRECHT JUNG GMBH &amp; CO. KG | Volmestraße 1 | 58579 Schalksmühle | GERMANY

06/2022

**Notice!****Installation only by persons with relevant electrical knowledge and experience!\*)****Use only with original JUNG product components approved for this article.**

By inappropriate installation you endanger

- your own life,
- the life of the user of the electrical appliance.

By inappropriate installation you risk a high loss by damage, e.g. risk by fire.

You assume personal liability in cause of injury to persons or damage of appliances.

**Please contact a skilled electrician!****\*) Required technical knowledge for installation:**

For installation, especially the following technical knowledge is required:

- the 5 important safety rules: disconnect from mains, secure against reconnecting, verify parts are free of voltage, ground and short-circuit, cover or block off adjacent live parts
- select adequate tools, measuring devices and personal protective equipment
- evaluate measuring results
- selection of the electrical installation material to secure switch-off conditions
- IP protection levels
- installation of the electrical installation material
- type of electric power grid (TN system, IT system, TT system) and the resultant connection terms (common grounding, protective ground, required additional action etc.)