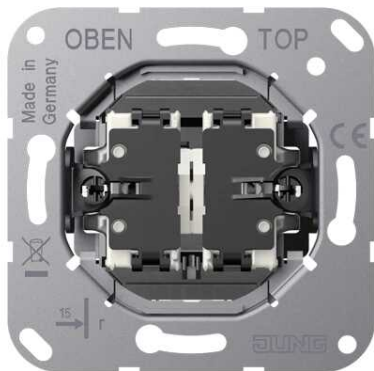


**2-gang toggle switch insert with indicator light, 2 x 1-pole, 1-way with 2 red LED lamps, 10 AX 250 V ~, without claws**



|                                          |               |
|------------------------------------------|---------------|
| <b>Reference number:</b>                 | K 505 KO EU 5 |
| <b>EAN/GTIN:</b>                         | 4011377175099 |
| <b>Power SBL (self-ballasted lamps):</b> | max. 100 W    |

2-gang toggle switch insert with indicator light, K505KOEU5

2-gang toggle switch insert with indicator light, 2 x 1-pole, 1-way with 2 red LED lamps, flush-mounted, K505KOEU5 with screwless terminals for rigid wires up to 2.5 mm<sup>2</sup>

screw fixing only, without claws

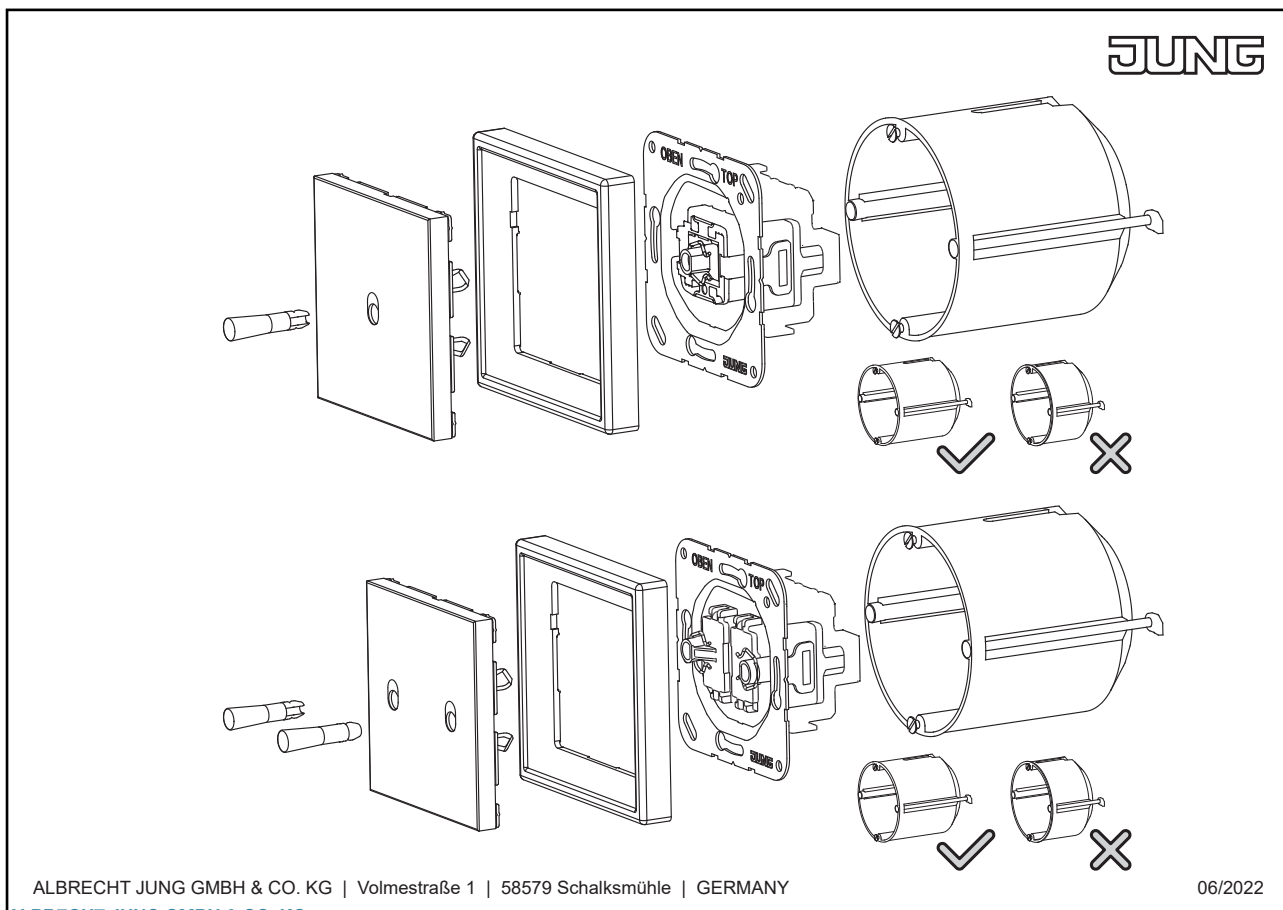
neutral conductor required

with two red LED lamps ref.-no.: 94-LED RT

depth of flush box (inner dimension): min. 43 mm

for centre plates with toggle lever ref.-no.: ..12-5 KO..

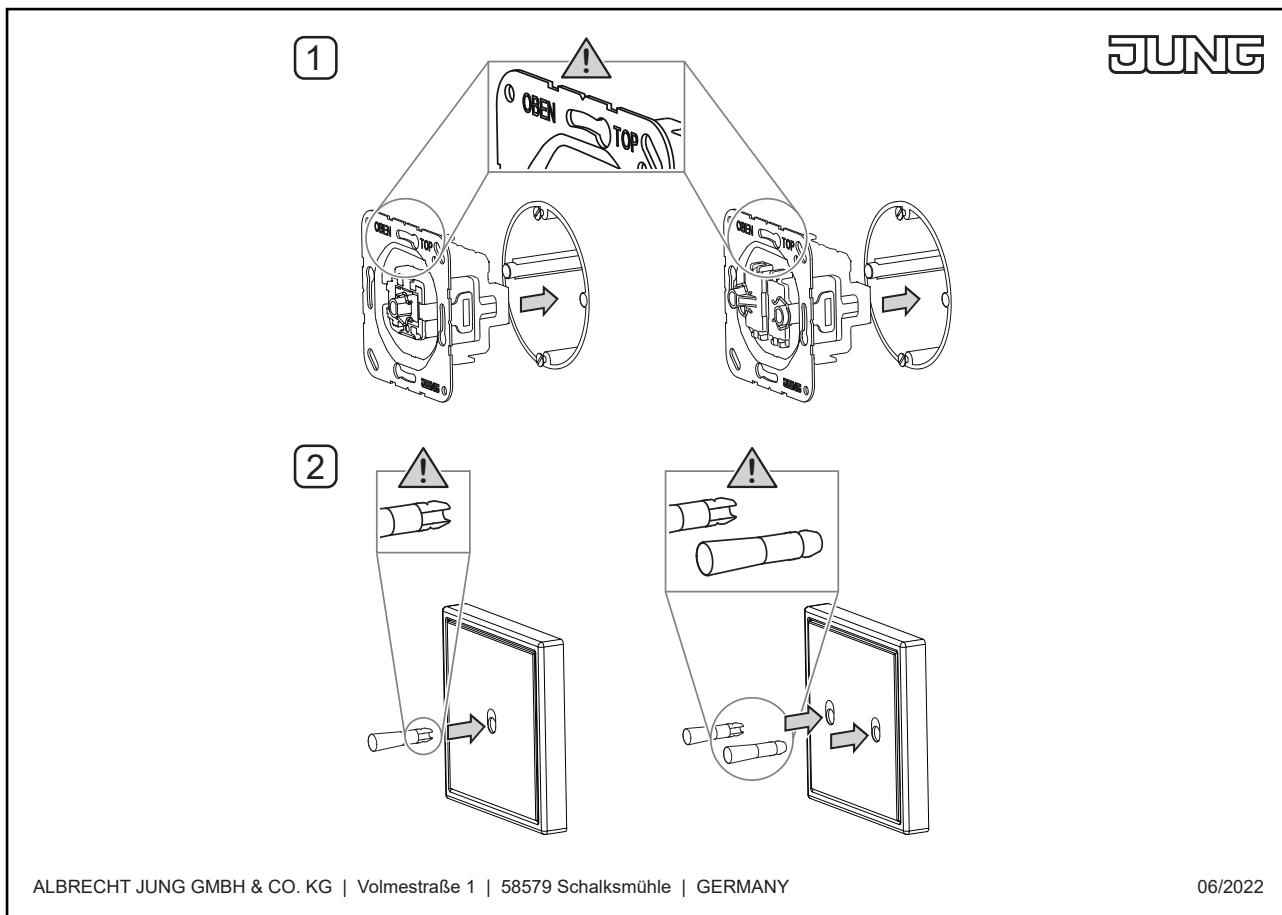
**Assembly**



ALBRECHT JUNG GMBH & CO. KG | Volmestraße 1 | 58579 Schalksmühle | GERMANY

06/2022

[ALBRECHT\\_JUNG\\_GMBH\\_&\\_CO\\_KG](http://ALBRECHT_JUNG_GMBH_&_CO_KG)



ALBRECHT JUNG GMBH & CO. KG | Volmestraße 1 | 58579 Schalksmühle | GERMANY

06/2022

#### Notice!

**Installation only by persons with relevant electrical knowledge and experience!\*)**

**Use only with original JUNG product components approved for this article.**

By inappropriate installation you endanger

- your own life,
- the life of the user of the electrical appliance.

By inappropriate installation you risk a high loss by damage, e.g. risk by fire.

You assume personal liability in cause of injury to persons or damage of appliances.

**Please contact a skilled electrician!**

#### \*) Required technical knowledge for installation:

For installation, especially the following technical knowledge is required:

- the 5 important safety rules: disconnect from mains, secure against reconnecting, verify parts are free of voltage, ground and short-circuit, cover or block off adjacent live parts
- select adequate tools, measuring devices and personal protective equipment
- evaluate measuring results
- selection of the electrical installation material to secure switch-off conditions
- IP protection levels
- installation of the electrical installation material
- type of electric power grid (TN system, IT system, TT system) and the resultant connection terms (common grounding, protective ground, required additional action etc.)