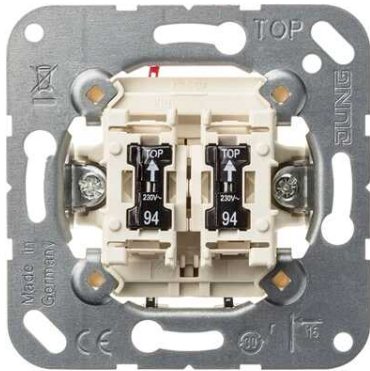


**2-gang push-button, 2 x 1-pole, 1-way NO contact with 2 glow lamps ref.-no. 94, 10 A 250 V ~**



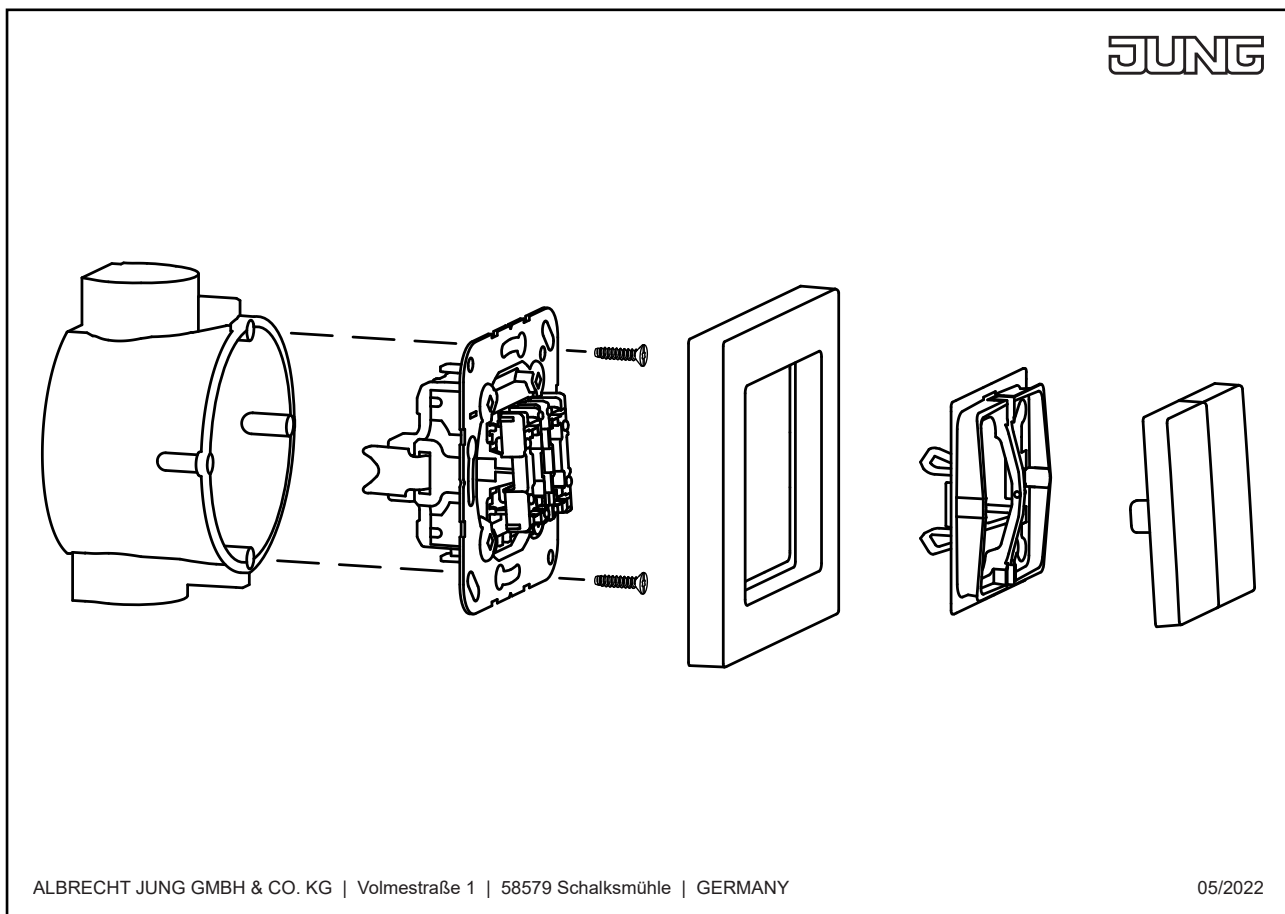
Reference number:	535 U 5
EAN/GTIN:	4011377262652

2-gang push-button, 2 x 1-pole, 1-way NO contact with 2 glow lamps ref.-no. 94, 535U5 with screwless terminals for rigid wires up to 2.5 mm<sup>2</sup>

without claws: ref.-no. with additional "E", e.g.: 535 EU

Push-button is illuminated in OFF-position.  
The glow lamps can be exchanged without disconnecting mains.

Assembly



ALBRECHT JUNG GMBH & CO. KG | Volmestraße 1 | 58579 Schalksmühle | GERMANY

05/2022

**Notice!**

**Installation only by persons with relevant electrical knowledge and experience!\*)**

**Use only with original JUNG product components approved for this article.**

By inappropriate installation you endanger

- your own life,
- the life of the user of the electrical appliance.

By inappropriate installation you risk a high loss by damage, e.g. risk by fire.

You assume personal liability in case of injury to persons or damage of appliances.

**Please contact a skilled electrician!**

**\*) Required technical knowledge for installation:**

For installation, especially the following technical knowledge is required:

- the 5 important safety rules: disconnect from mains, secure against reconnecting, verify parts are free of voltage, ground and short-circuit, cover or block off adjacent live parts
- select adequate tools, measuring devices and personal protective equipment
- evaluate measuring results
- selection of the electrical installation material to secure switch-off conditions
- IP protection levels
- installation of the electrical installation material
- type of electric power grid (TN system, IT system, TT system) and the resultant connection terms (common grounding, protective ground, required additional action etc.)