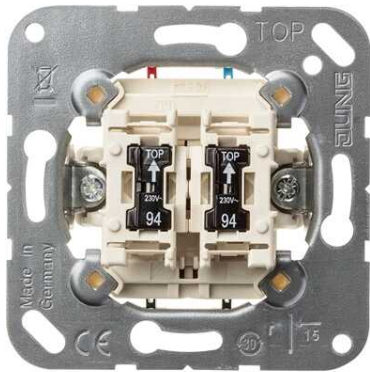


**2-gang switch (insert) with indicator light 10 AX 250 V~, 2 x 1-pole, 1-way with 2 glow lamps
ref.-no. 94**



Reference number:	505 KOU 5
EAN/GTIN:	4011377262454
Power SBL (self-ballasted lamps):	max. 100 W

2-gang switch (insert) with indicator light, 2 x 1-pole, 1-way with 2 glow lamps ref.-no. 94, 505KOU5 with screwless terminals for rigid wires up to 2.5 mm²

neutral conductor required

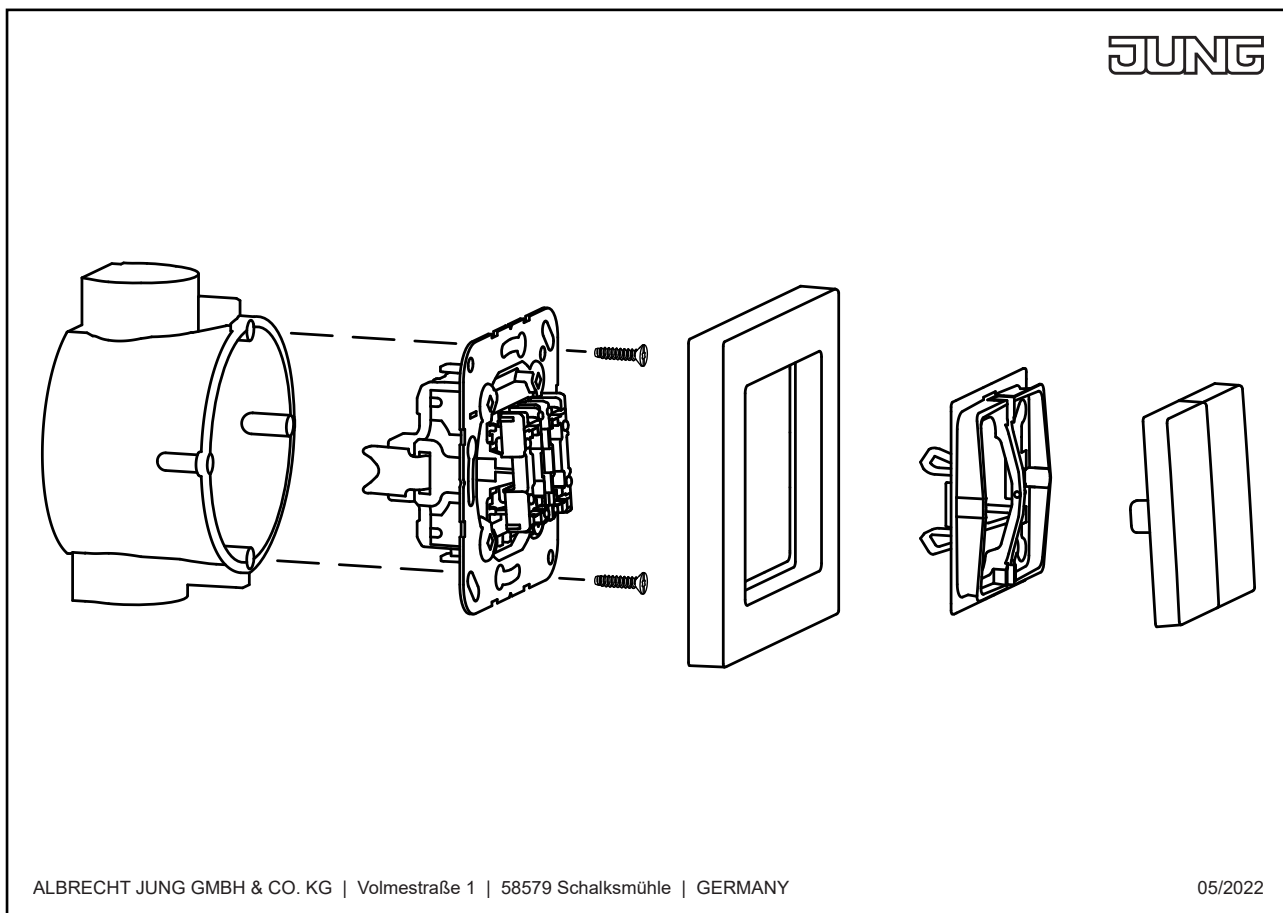
The glow lamps can be exchanged without disconnecting mains.

Coloured lamps can also be used, e.g.:

green ref.-no.: 94 GN or 94-LED GN

red ref.-no.: 94 RT or 94-LED RT

Assembly



ALBRECHT JUNG GMBH & CO. KG | Volmestraße 1 | 58579 Schalksmühle | GERMANY 05/2022

Notice!

Installation only by persons with relevant electrical knowledge and experience!*)

Use only with original JUNG product components approved for this article.

By inappropriate installation you endanger

- your own life,
- the life of the user of the electrical appliance.

By inappropriate installation you risk a high loss by damage, e.g. risk by fire.

You assume personal liability in case of injury to persons or damage of appliances.

Please contact a skilled electrician!

***) Required technical knowledge for installation:**

For installation, especially the following technical knowledge is required:

- the 5 important safety rules: disconnect from mains, secure against reconnecting, verify parts are free of voltage, ground and short-circuit, cover or block off adjacent live parts
- select adequate tools, measuring devices and personal protective equipment
- evaluate measuring results
- selection of the electrical installation material to secure switch-off conditions
- IP protection levels
- installation of the electrical installation material
- type of electric power grid (TN system, IT system, TT system) and the resultant connection terms (common grounding, protective ground, required additional action etc.)