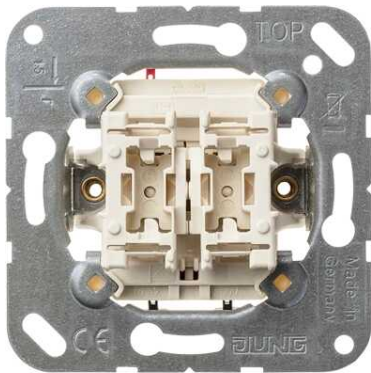


2-gang switch (insert) 10 AX 250 V~, 2 x 1-pole, 1-way



Reference number:	505 U
EAN/GTIN:	4011377261303
Power SBL (self-ballasted lamps):	max. 100 W

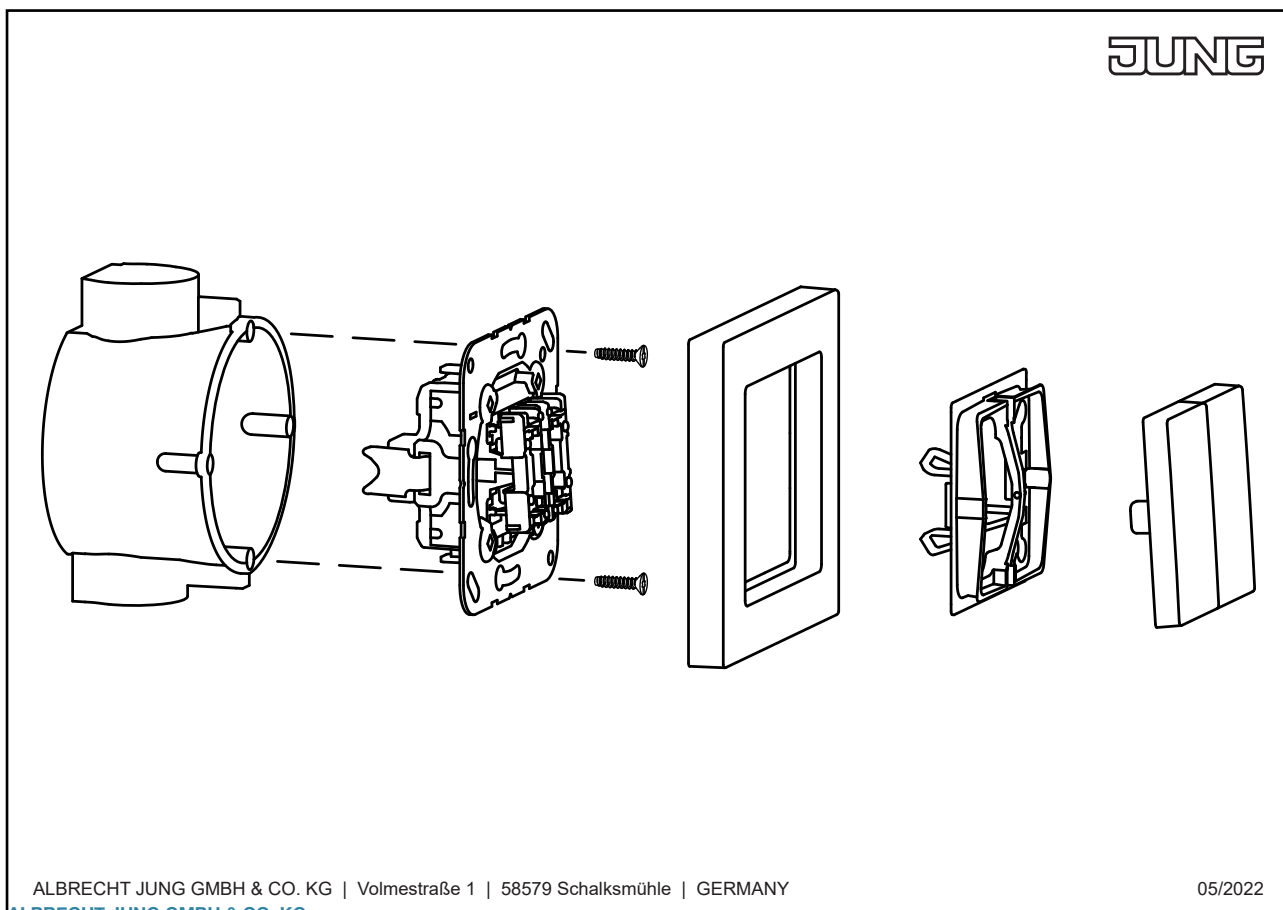


2-gang switch (insert), 2 x 1-pole, 1-way, 505U
with screwless terminals for rigid wires up to 2.5 mm²

without claws: ref.-no. with additional "E", e.g.: 505 EU

Cradle to Cradle certified

Assembly



Notice!

Installation only by persons with relevant electrical knowledge and experience!*)

Use only with original JUNG product components approved for this article.

By inappropriate installation you endanger

- your own life,
- the life of the user of the electrical appliance.

By inappropriate installation you risk a high loss by damage, e.g. risk by fire.

You assume personal liability in case of injury to persons or damage of appliances.

Please contact a skilled electrician!

***) Required technical knowledge for installation:**

For installation, especially the following technical knowledge is required:

- the 5 important safety rules: disconnect from mains, secure against reconnecting, verify parts are free of voltage, ground and short-circuit, cover or block off adjacent live parts
- select adequate tools, measuring devices and personal protective equipment
- evaluate measuring results
- selection of the electrical installation material to secure switch-off conditions
- IP protection levels
- installation of the electrical installation material
- type of electric power grid (TN system, IT system, TT system) and the resultant connection terms (common grounding, protective ground, required additional action etc.)