


Rocker 2-gang, duroplastic lacquered, LS range, matt snow white

Reference number:	LS 995 WWM
EAN/GTIN:	4011377187016
Color:	matt snow white
Material:	duroplastic

-  Degree of protection IP44 is ensured with sealing gasket ref.-no. 551 WU and "IP44 frame" of the respective design range.
-  Individual colour printing possible

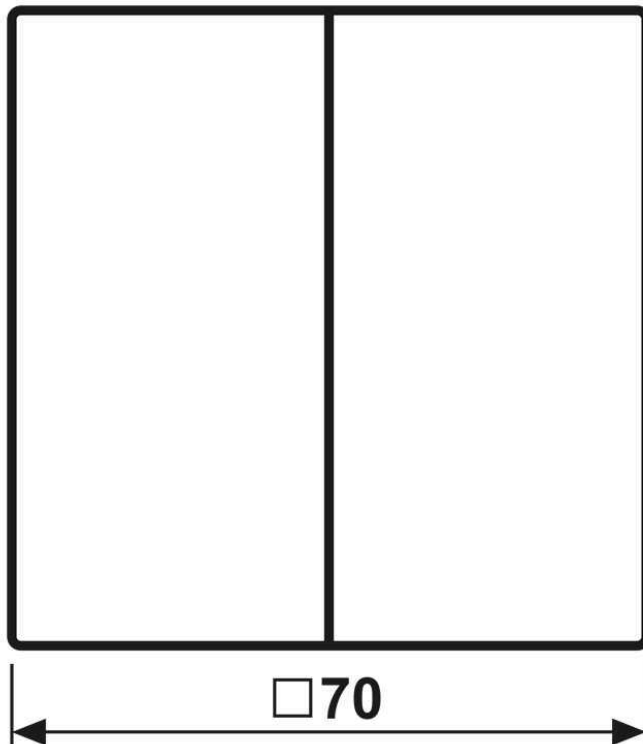
for switch ref.-no.: 505 U, 509 U, 505-20 U, 509-20 U
for push-button ref.-no.: 535 U, 539 U
for multi push-button ref.-no.: 532-4 U (not metal versions)
in combination with multi push-button no IP44 possible

Spare part:

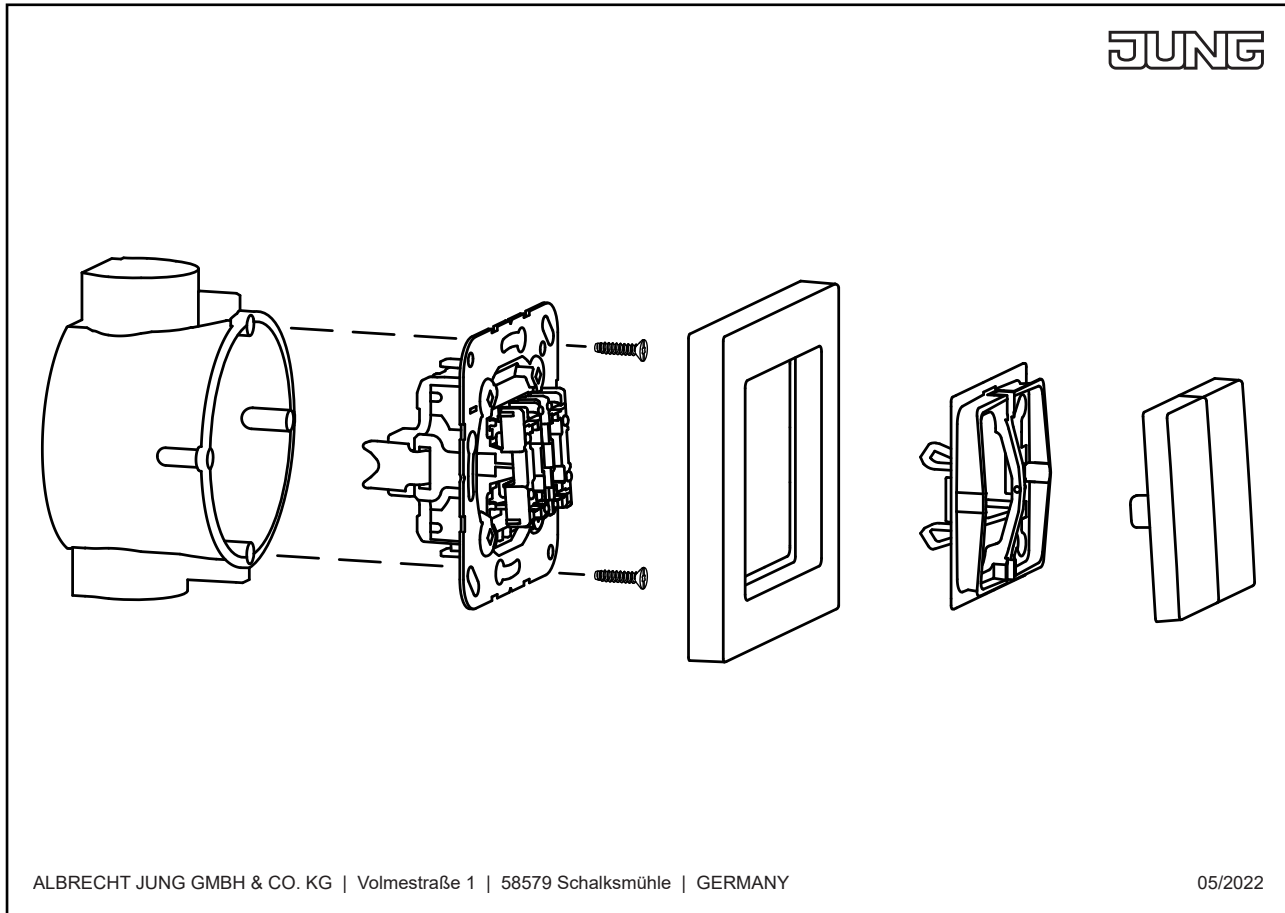
holder plate ref.-no.: CD 95 HP

For illuminated inserts use rocker with lens ref.-no.: ..KO...

Dimensions



Assembly



ALBRECHT JUNG GMBH & CO. KG | Volmestraße 1 | 58579 Schalksmühle | GERMANY

05/2022