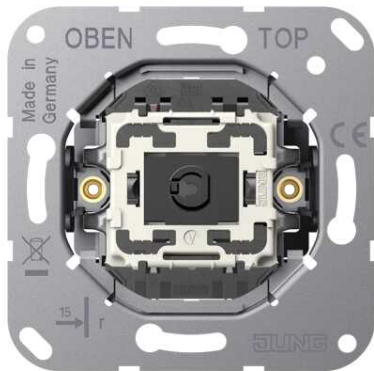


**1-gang toggle switch insert with indicator light, 1-pole, 2-way, 10 AX 250 V ~, without claws**



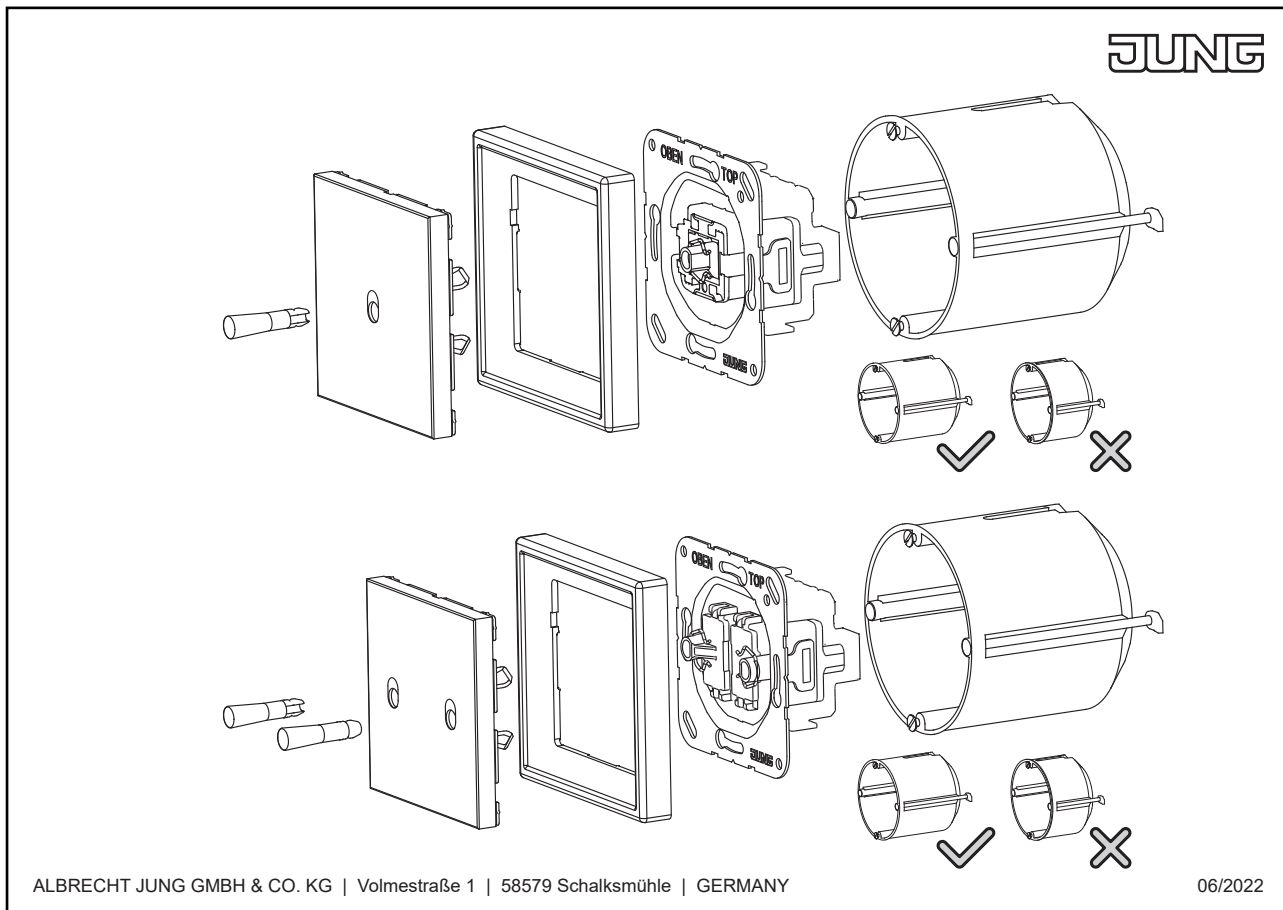
<b>Reference number:</b>	K 506 KO EU
<b>EAN/GTIN:</b>	4011377175037
<b>Power SBL (self-ballasted lamps):</b>	max. 100 W

1-gang toggle switch insert with indicator light, 1-pole, 2-way, flush-mounted, K506KOEU with screwless terminals for rigid wires up to 2.5 mm<sup>2</sup>

screw fixing only, without claws  
 neutral conductor required  
 with red LED lamp ref.-no.: 90-LED RT  
 depth of flush box (inner dimension): min. 43 mm

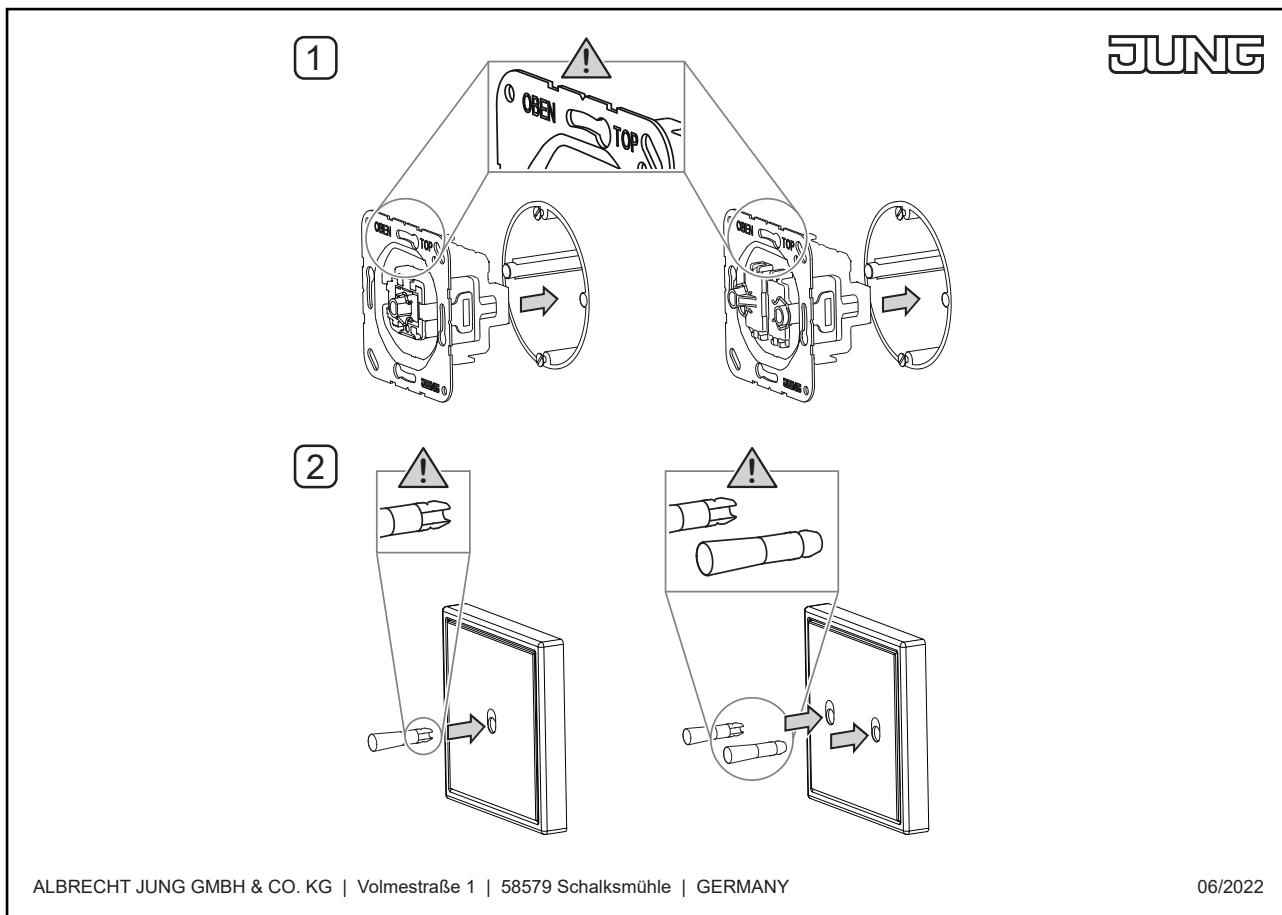
for centre plates with toggle lever ref.-no.: ..I2-0 KO..

**Assembly**



ALBRECHT JUNG GMBH & CO. KG | Volmestraße 1 | 58579 Schalksmühle | GERMANY

06/2022



ALBRECHT JUNG GMBH & CO. KG | Volmestraße 1 | 58579 Schalksmühle | GERMANY

06/2022

#### Notice!

**Installation only by persons with relevant electrical knowledge and experience!\*)**

**Use only with original JUNG product components approved for this article.**

By inappropriate installation you endanger

- your own life,
- the life of the user of the electrical appliance.

By inappropriate installation you risk a high loss by damage, e.g. risk by fire.

You assume personal liability in cause of injury to persons or damage of appliances.

**Please contact a skilled electrician!**

#### \*) Required technical knowledge for installation:

For installation, especially the following technical knowledge is required:

- the 5 important safety rules: disconnect from mains, secure against reconnecting, verify parts are free of voltage, ground and short-circuit, cover or block off adjacent live parts
- select adequate tools, measuring devices and personal protective equipment
- evaluate measuring results
- selection of the electrical installation material to secure switch-off conditions
- IP protection levels
- installation of the electrical installation material
- type of electric power grid (TN system, IT system, TT system) and the resultant connection terms (common grounding, protective ground, required additional action etc.)