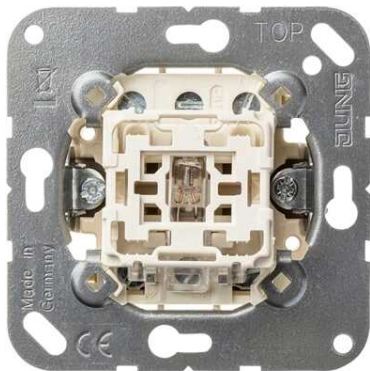


1-gang switch (insert) with indicator light 16 AX 400 V~, 3-pole, 1-way

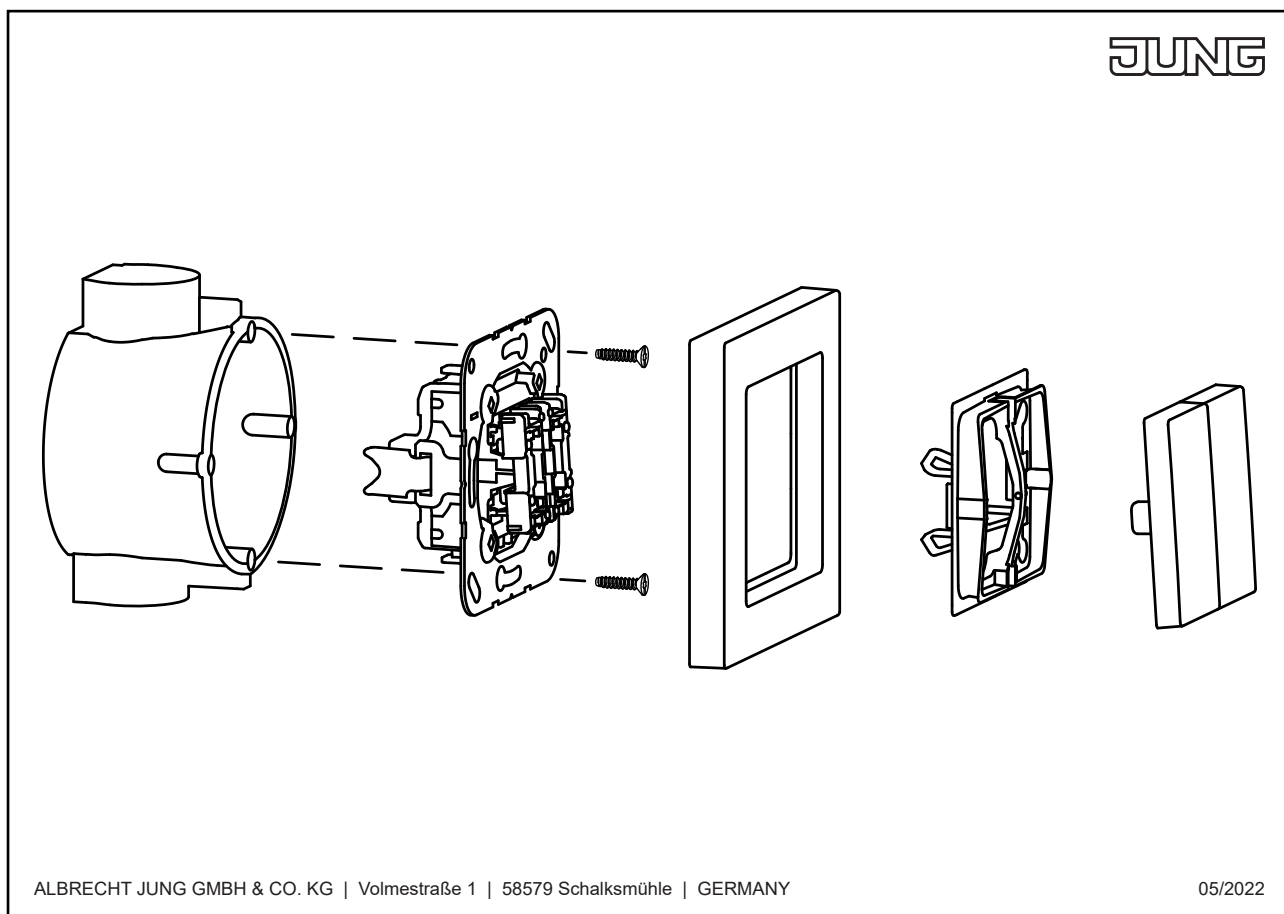


| | |
|-----------------------------------|---------------|
| Reference number: | 503 KOU |
| EAN/GTIN: | 4011377260009 |
| Power SBL (self-ballasted lamps): | max. 200 W |

1-gang switch (insert) with indicator light, 3-pole, 1-way, 503KOU
with screw terminals for rigid and flexible wires up to 4 mm²

with glow lamp ref.-no. 98

Assembly



Notice!

Installation only by persons with relevant electrical knowledge and experience!*)

Use only with original JUNG product components approved for this article.

By inappropriate installation you endanger

• your own life,

ALBRECHT JUNG GMBH & CO. KG

Volmestraße 1
58579 Schalksmühle

Phone +49 (0) 23 55/80 60
E-Mail kundencenter@jung.de

25.11.2025
1 of 2

• the life of the user of the electrical appliance.

By inappropriate installation you risk a high loss by damage, e.g. risk by fire.

You assume personal liability in cause of injury to persons or damage of appliances.

Please contact a skilled electrician!

***) Required technical knowledge for installation:**

For installation, especially the following technical knowledge is required:

- the 5 important safety rules: disconnect from mains, secure against reconnecting, verify parts are free of voltage, ground and short-circuit, cover or block off adjacent live parts
- select adequate tools, measuring devices and personal protective equipment
- evaluate measuring results
- selection of the electrical installation material to secure switch-off conditions
- IP protection levels
- installation of the electrical installation material
- type of electric power grid (TN system, IT system, TT system) and the resultant connection terms (common grounding, protective ground, required additional action etc.)