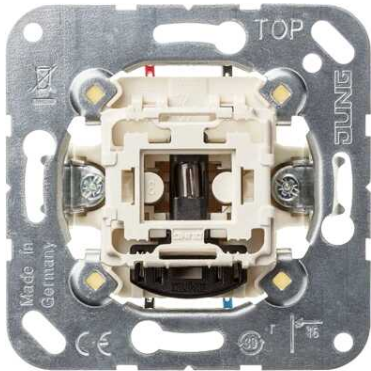


1-gang switch (insert) with indicator light 10 AX 250 V~, 1-pole, 2-way



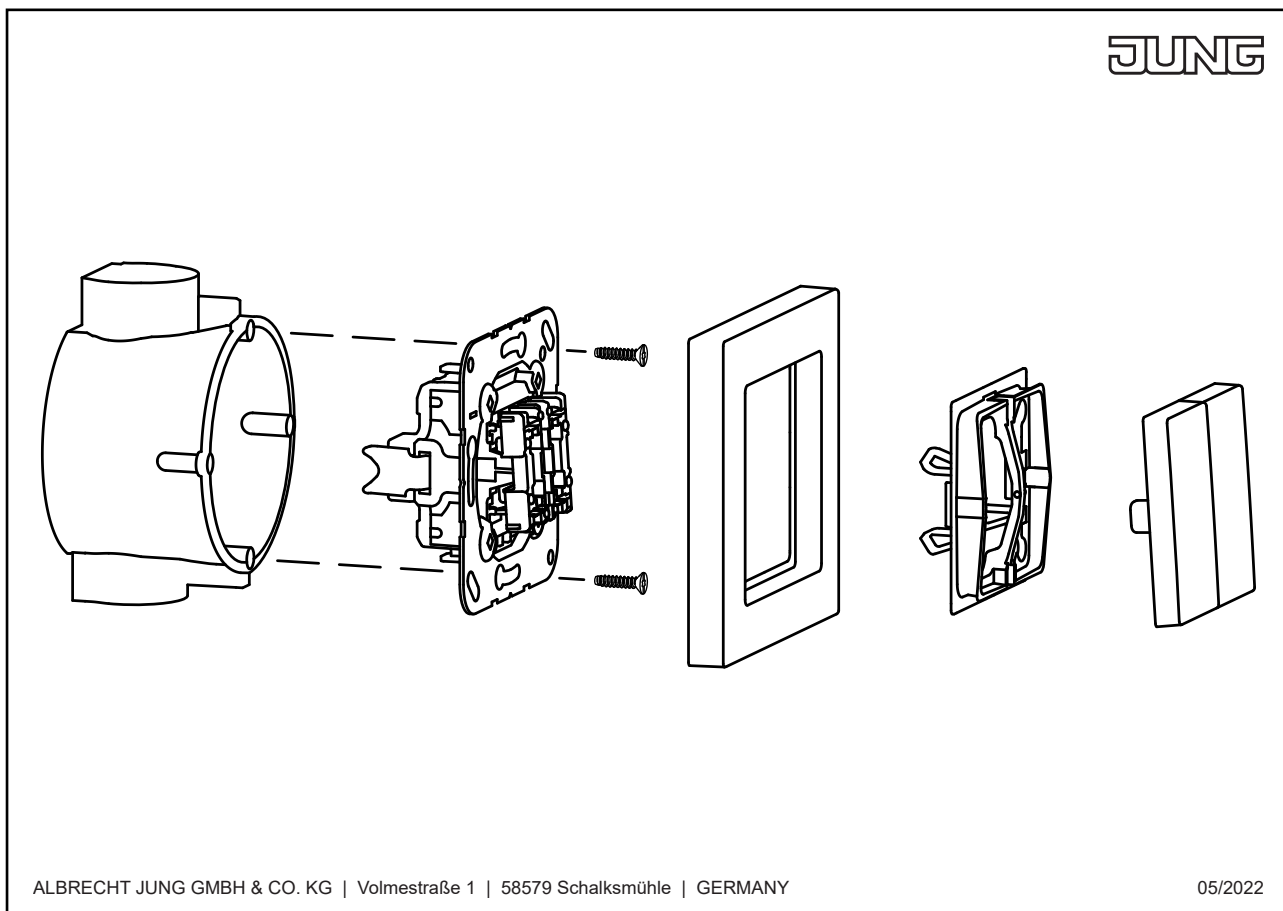
Reference number:	506 KOU
EAN/GTIN:	4011377262409
Power SBL (self-ballasted lamps):	max. 100 W

1-gang switch (insert) with indicator light, 1-pole, 2-way, 506KOU
with screwless terminals for rigid wires up to 2.5 mm²

neutral conductor required
with glow lamp ref.-no. 90
without claws: ref.-no. with additional "E", e.g.: 506 KOEU

Glow lamp can be replaced with LED lamp ref.-no. 90-LED.. (230 V) or 96I248 LED.. (low voltage).

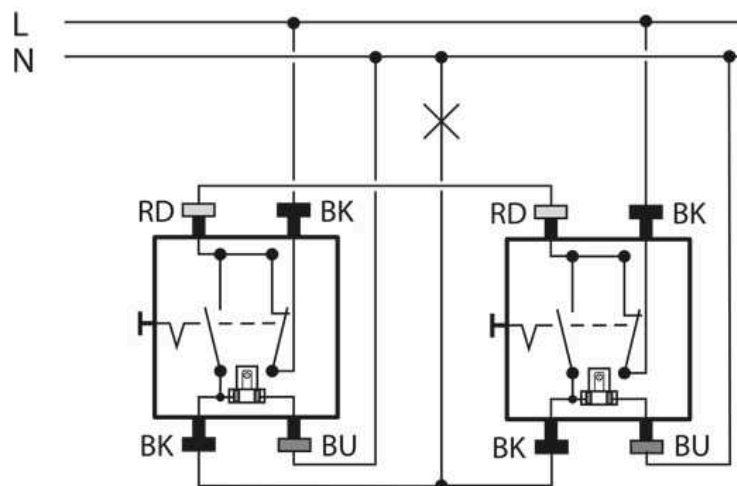
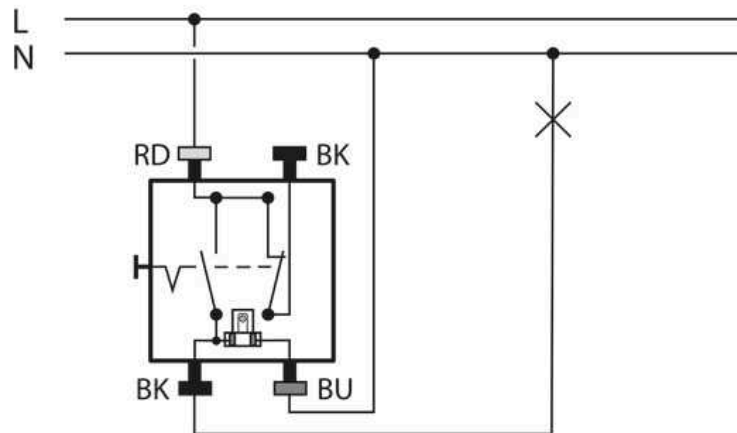
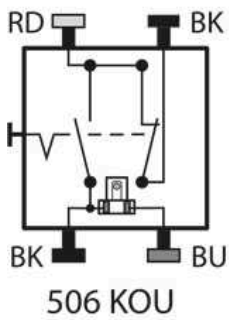
Assembly



ALBRECHT JUNG GMBH & CO. KG | Volmestraße 1 | 58579 Schalksmühle | GERMANY

05/2022

Circuit diagram

**Notice!**

Installation only by persons with relevant electrical knowledge and experience!*)

Use only with original JUNG product components approved for this article.

By inappropriate installation you endanger

- your own life,
- the life of the user of the electrical appliance.

By inappropriate installation you risk a high loss by damage, e.g. risk by fire.

You assume personal liability in case of injury to persons or damage of appliances.

Please contact a skilled electrician!

***) Required technical knowledge for installation:**

For installation, especially the following technical knowledge is required:

- the 5 important safety rules: disconnect from mains, secure against reconnecting, verify parts are free of voltage, ground and short-circuit, cover or block off adjacent live parts
- select adequate tools, measuring devices and personal protective equipment
- evaluate measuring results
- selection of the electrical installation material to secure switch-off conditions
- IP protection levels
- installation of the electrical installation material
- type of electric power grid (TN system, IT system, TT system) and the resultant connection terms (common grounding, protective ground, required additional action etc.)