

SCHUKO® socket, 16 A 250 V ~, hinged lid, thermoplastic lacquered, LS range, orange pâle (32082)



Reference number:	LC I520 BFKL 226
EAN/GTIN:	4011377225893
Color:	orange pâle
Material:	thermoplastic (breakproof)

■ Individual colour printing possible

SCHUKO® socket, LCI520BFKL226

with hinged lid (with spring)

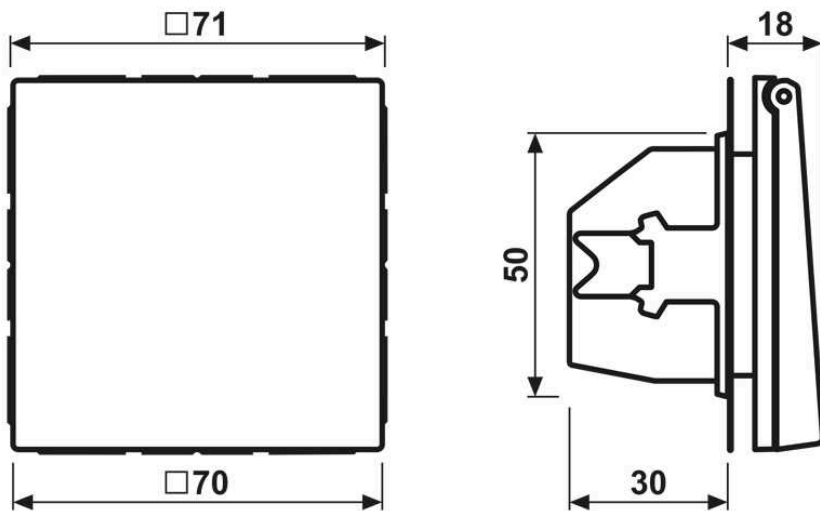
with screwless terminals for rigid and untreated flexible wires up to 2.5 mm²

without claws: ref.-no. with additional "N", e.g.: ..I520 N..

with screw terminals: ref.-no. ..I521..

Supporting frame, claws and claw screws are integrated into the earth protection.

Dimensions



Assembly

**Notice!**

Installation only by persons with relevant electrical knowledge and experience!*)

Use only with original JUNG product components approved for this article.

By inappropriate installation you endanger

- your own life,
- the life of the user of the electrical appliance.

By inappropriate installation you risk a high loss by damage, e.g. risk by fire.

You assume personal liability in cause of injury to persons or damage of appliances.

Please contact a skilled electrician!

***) Required technical knowledge for installation:**

For installation, especially the following technical knowledge is required:

- the 5 important safety rules: disconnect from mains, secure against reconnecting, verify parts are free of voltage, ground and short-circuit, cover or block off adjacent live parts
- select adequate tools, measuring devices and personal protective equipment
- evaluate measuring results
- selection of the electrical installation material to secure switch-off conditions
- IP protection levels
- installation of the electrical installation material
- type of electric power grid (TN system, IT system, TT system) and the resultant connection terms (common grounding, protective ground, required additional action etc.)