

Speed regulator with satellite input



Reference number:	1735 DS
EAN/GTIN:	4011377203228



Speed regulator, NaV
incremental control without end position
with satellite input

Intended use

- Speed controller for regulating the speed of single-phase motors e.g. induction motors or shaded pole motors
- Installation in flush box with dimensions according to DIN 49073
- Operation with suitable cover

Product characteristics

- Device works according to the leading edge phase control principle
- Device can be operated without neutral conductor
- Switch-on via soft start to maximum speed
- Basic speed can be saved permanently
- Connection of satellite units possible
- Electronic short-circuit protection with permanent switch-off after 100 ms
- Electronic over-temperature protection

Centre plates:

AS / A ranges: ref.-no. A 1740 ..

CD range: ref.-no. CD 1740 ..

LS range: ref.-no. LS 1740 .., .. 1740 ..

Technical data

Rated voltage:	AC 230 V ~
Mains frequency:	50/60 Hz
Stand-by power:	max. 0.5 W
Power loss:	max. 4 W
Ambient temperature:	-5 ... +45 °C
Switching current:	60 mA ... 1.8 A
Connection	screw terminals

Number of satellite units

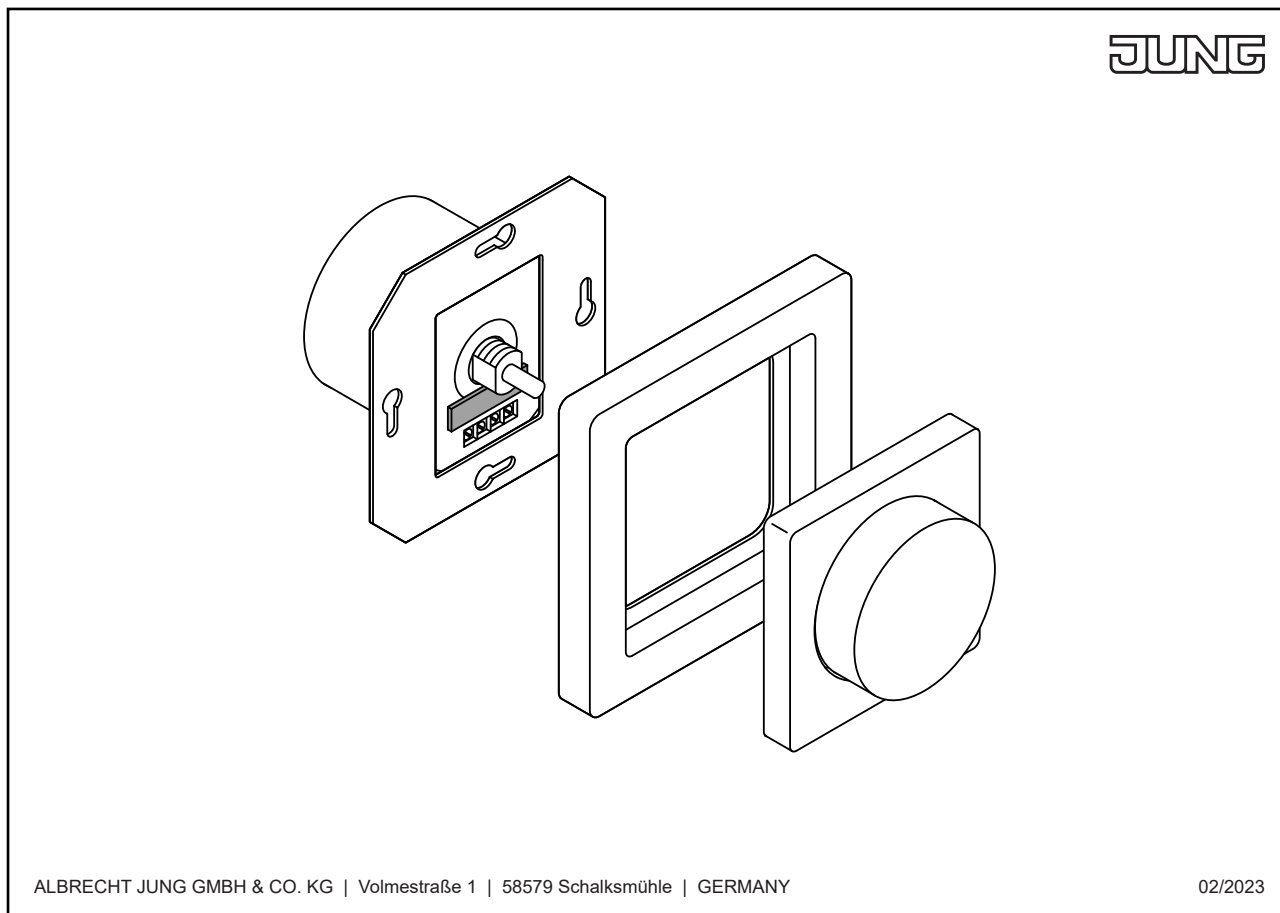
Rotary satellite insert 3-wire 1733 DNE: 10

Push-buttons: unlimited

Total length of satellite cable: max. 100 m

Total length power cable: max. 100 m

Assembly



ALBRECHT JUNG GMBH & CO. KG | Volmestraße 1 | 58579 Schalksmühle | GERMANY

02/2023