

Rotary satellite insert 3-wire with satellite input



Reference number:	1733 DNE
EAN/GTIN:	4011377166998

Rotary satellite insert 3-wire

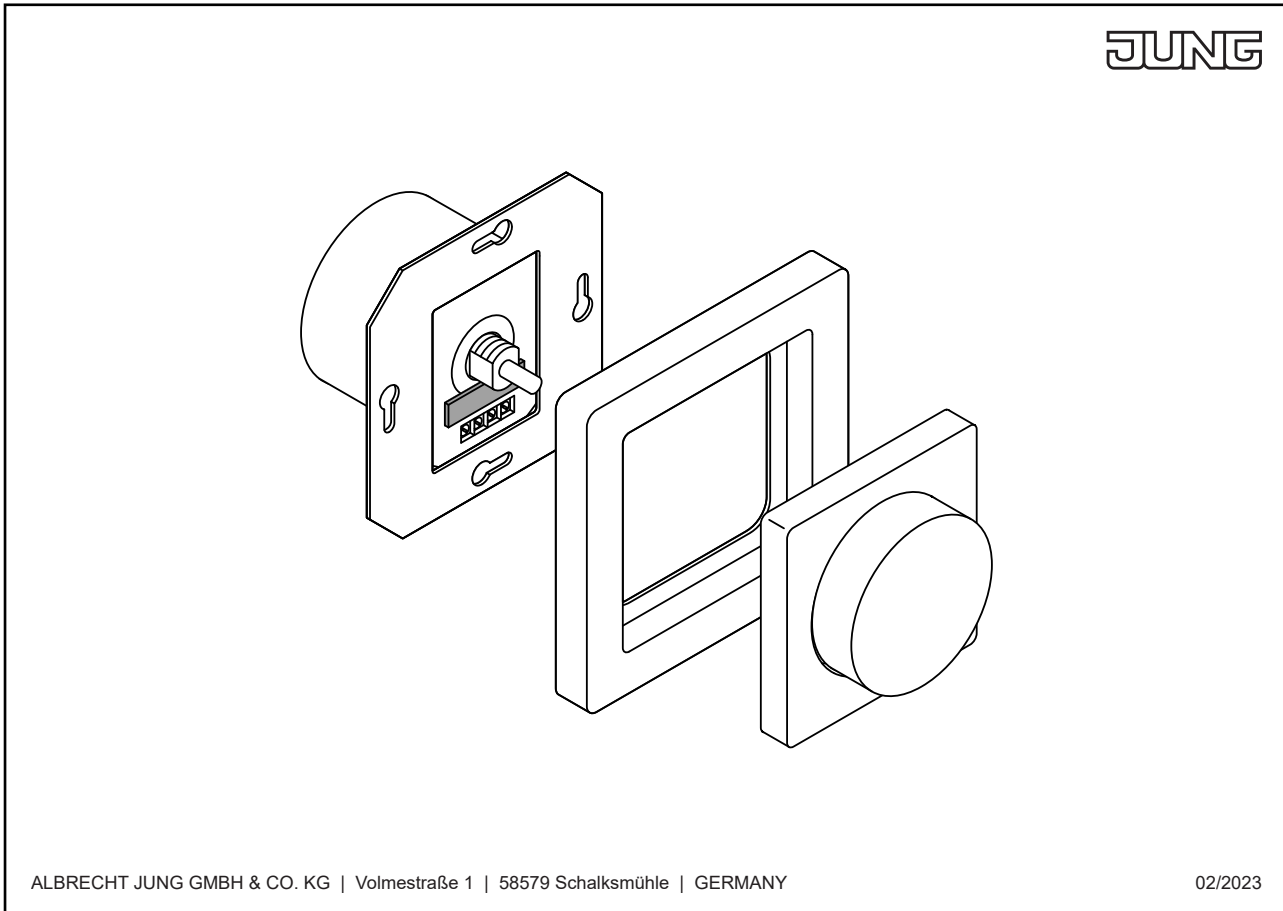
Intended use

- Satellite operation for dimmers ref.-no.: 1731 DD, 1711 DE, 1724 DM, UD 1755 REG
- Operation with suitable cover
- Installation in flush box with dimensions according to DIN 49073

Technical data

Rated voltage:	AC 230 V ~
Mains frequency:	50/60 Hz
Stand-by power:	approx. 0.3 W
Ambient temperature:	-5 ... +45 °C
Connection	screw terminals
Total length of satellite cable:	max. 100 m

Assembly



ALBRECHT JUNG GMBH & CO. KG | Volmestraße 1 | 58579 Schalksmühle | GERMANY

02/2023