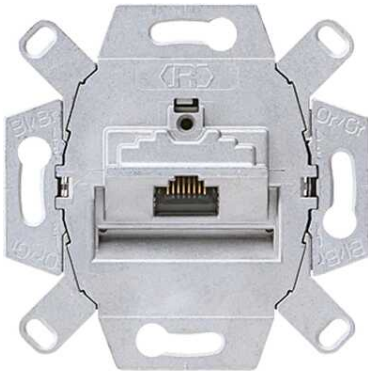


Modular jack socket, cat. 6 / cat. 6A iso 8-pole, for 1 terminal

Reference number:	UAE 8 UPOK6
EAN/GTIN:	4011377987739

Modular jack socket, cat. 6 / cat. 6A iso 8-pole, for 1 terminal, UAE8UPOK6
screw fixing only, without claws
for network applications
LSA connection terminal, shielded
variable running of cable without sharp bending from all directions possible
suitable for standard wall boxes

RJ 45, category 6_A, class E_A (10 Gbit/s / 500 MHz),
corresponds to Cat. 6_A acc. to ISO/IEC 11801 Amendment 2 and Cat. 6A acc. to TIA/EIA-568-B.2-10 2008
suitable for PoE+ acc. to IEEE 802.3at
≥ 1000 insertion/removal cycles, suitable for RJ 11/12

Centre plates:

AS / A ranges: ref.-no. A 569-1 PLUA ..

CD range: ref.-no. CD 569-1 UA .., CD 569-1 NAUA ..

LS range: ref.-no. LS 969-1 UA .., LS 969-1 NAUA .., .. 2969-1 UA .., .. 2969-1 NAUA ..