

Socket, French/Belgian system, 16 A 250 V ~, with USB charger, 1 x type A + 1 x type C, Safety Plus, AS range, ivory



Reference number:	A 1520 F-15 CA
EAN/GTIN:	4011377184923
Color:	ivory
Material:	thermoplastic (breakproof)

- Individual colour printing possible
- Individual laser engraving possible

Thermoplastic (breakproof) high-gloss

2-pole + male earth pin, 16 A / 250 V ~

CEE 7/5

with enhanced contact protection / shutter (Safety Plus)

with 1 USB port type A and 1 USB port type C

with screwless terminals for rigid and untreated flexible wires up to 2.5 mm²

Installation in flush box with dimensions according to DIN 49073

depth of flush box (inner dimension): min. 57 mm

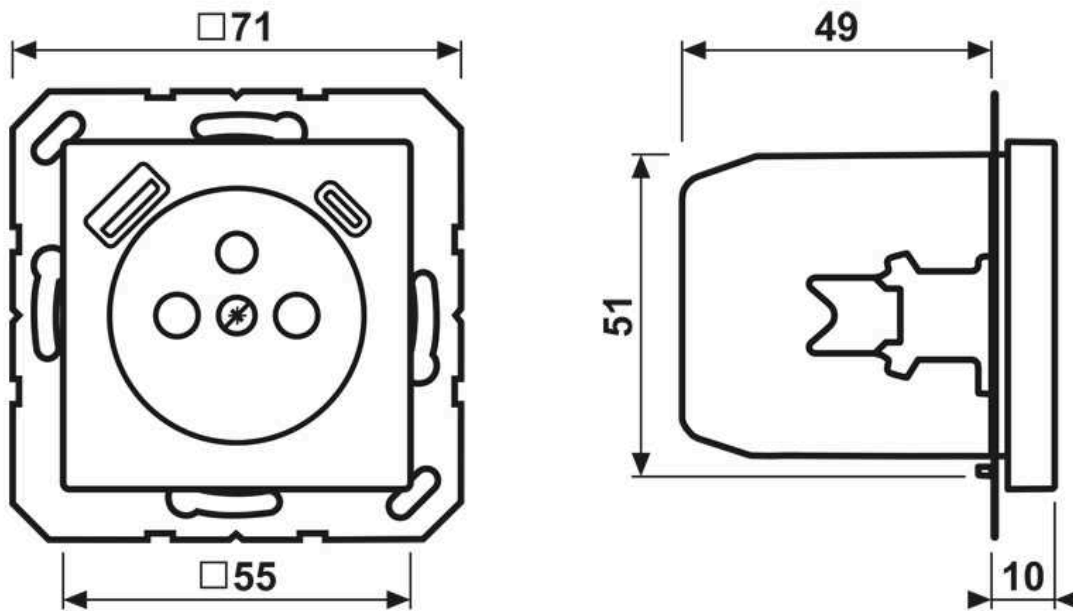
Accessories:

Frame 28 mm structure height ref.-no.: A 558.. HBF ..

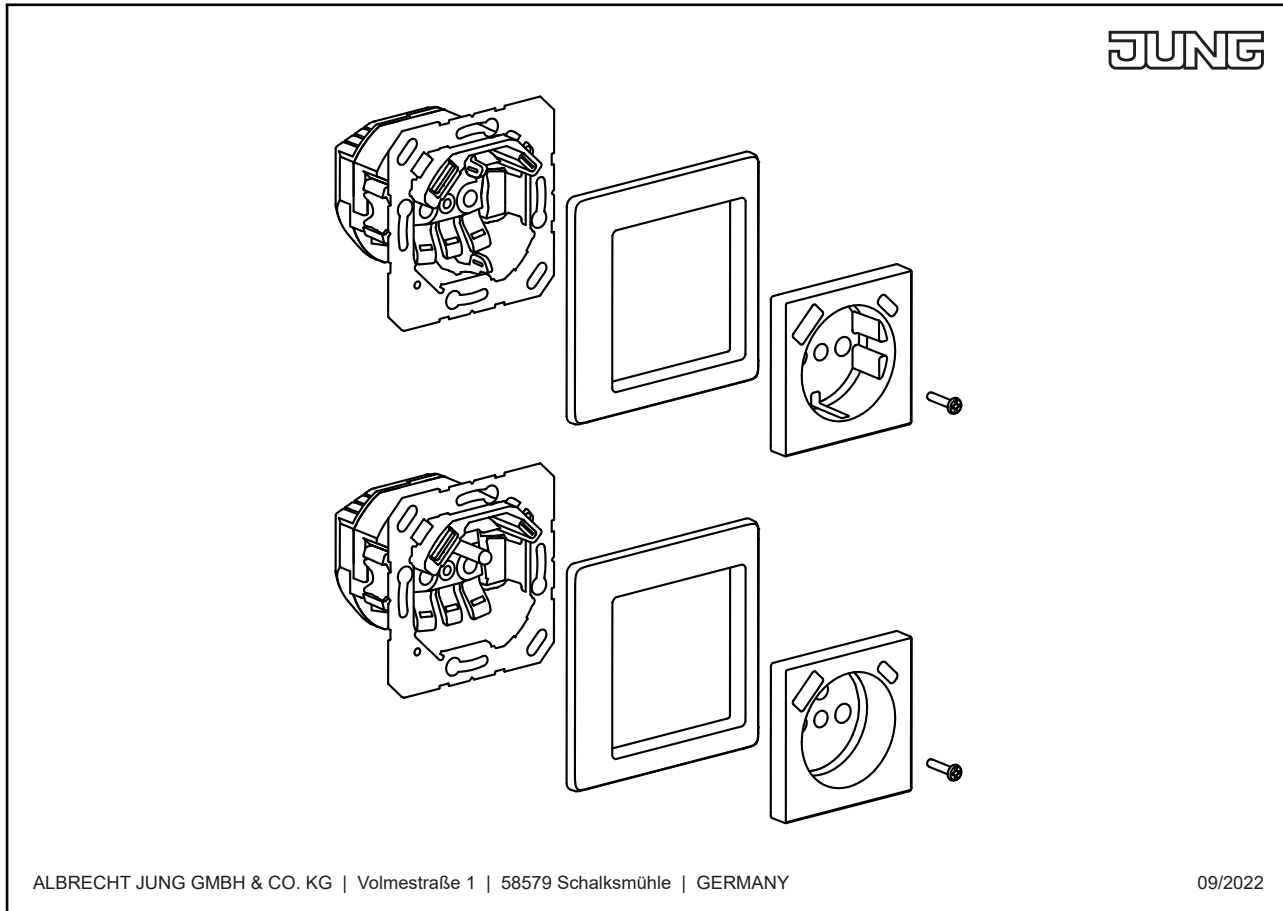
Technical data

Rated voltage:	AC 220 ... 250 V ~
Mains frequency:	50/60 Hz
Rated current:	16 A
Output voltage USB:	DC 5 V
Output current USB (total):	3 A
Stand-by power:	≤ 25 mW
Ambient temperature:	+5 ... +35 °C
Storage/transport temperature:	-20 ... +70 °C
Connection mode:	screwless terminals

Dimensions



Assembly

**Notice!**

Installation only by persons with relevant electrical knowledge and experience!*)

Use only with original JUNG product components approved for this article.

By inappropriate installation you endanger

- your own life,
- the life of the user of the electrical appliance.

By inappropriate installation you risk a high loss by damage, e.g. risk by fire.

You assume personal liability in cause of injury to persons or damage of appliances.

Please contact a skilled electrician!

***) Required technical knowledge for installation:**

For installation, especially the following technical knowledge is required:

- the 5 important safety rules: disconnect from mains, secure against reconnecting, verify parts are free of voltage, ground and short-circuit, cover or block off adjacent live parts
- select adequate tools, measuring devices and personal protective equipment
- evaluate measuring results
- selection of the electrical installation material to secure switch-off conditions
- IP protection levels
- installation of the electrical installation material
- type of electric power grid (TN system, IT system, TT system) and the resultant connection terms (common grounding, protective ground, required additional action etc.)