

Smart Radio DAB+, mono set 1-gang, LS range, aluminium



Reference number:	DAB AL1
EAN/GTIN:	4011377172425
Color:	aluminium

with black display

including power supply
with one loudspeaker

Intended use

- DAB reception in the frequency range 174 MHz to 240 MHz (VHF band III and channel 13)
- FM reception in the frequency range 87.5 MHz to 108 MHz (VHF band II)
- Mounting on wall box with dimensions according to DIN 49073
- Depth of flush box (inner dimension): min. 40 mm

Product characteristics

- Digital radio with display and sensor buttons
- Real glass front
- Stereo reception
- Connection terminals for two loudspeakers
- Stereo/mono switch-over
- Simple operation
- Integrated antenna for DAB+ and FM
- High reception quality
- Automatic station scanning
- Storage of 8 favourites DAB+ and 8 favourites FM (will be retained after power failure)
- Switch-on with last station
- Switch-on with last volume
- Switch-on with last operating mode (DAB+ or FM)
- Display of station information, time and current settings
- Current time via RDS and DAB+
- Brightness level of display can be adjusted
- Night mode
- Alarm function
- Sleep mode
- Switching on/off via extension unit
- Line-out output (AUX) to connect external amplifiers
- Optional external cable antenna ref.-no.: RAD-ANT

Satellite function

The radio is equipped with a satellite input to connect an external switch.

Accessories:

loudspeaker module ref.-no.: LSM .. 4 ..
external cable antenna ref.-no.: RAD-ANT

Spare part:

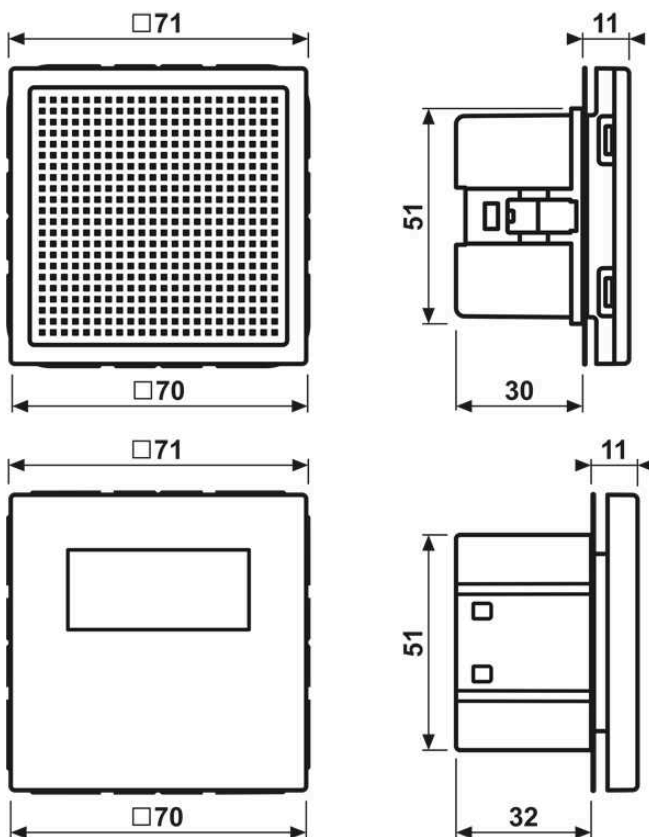
power supply ref.-no.: NT-AUDIO

display ref.-no.: DAB LS-DISP WW, DAB LS-DISP SW

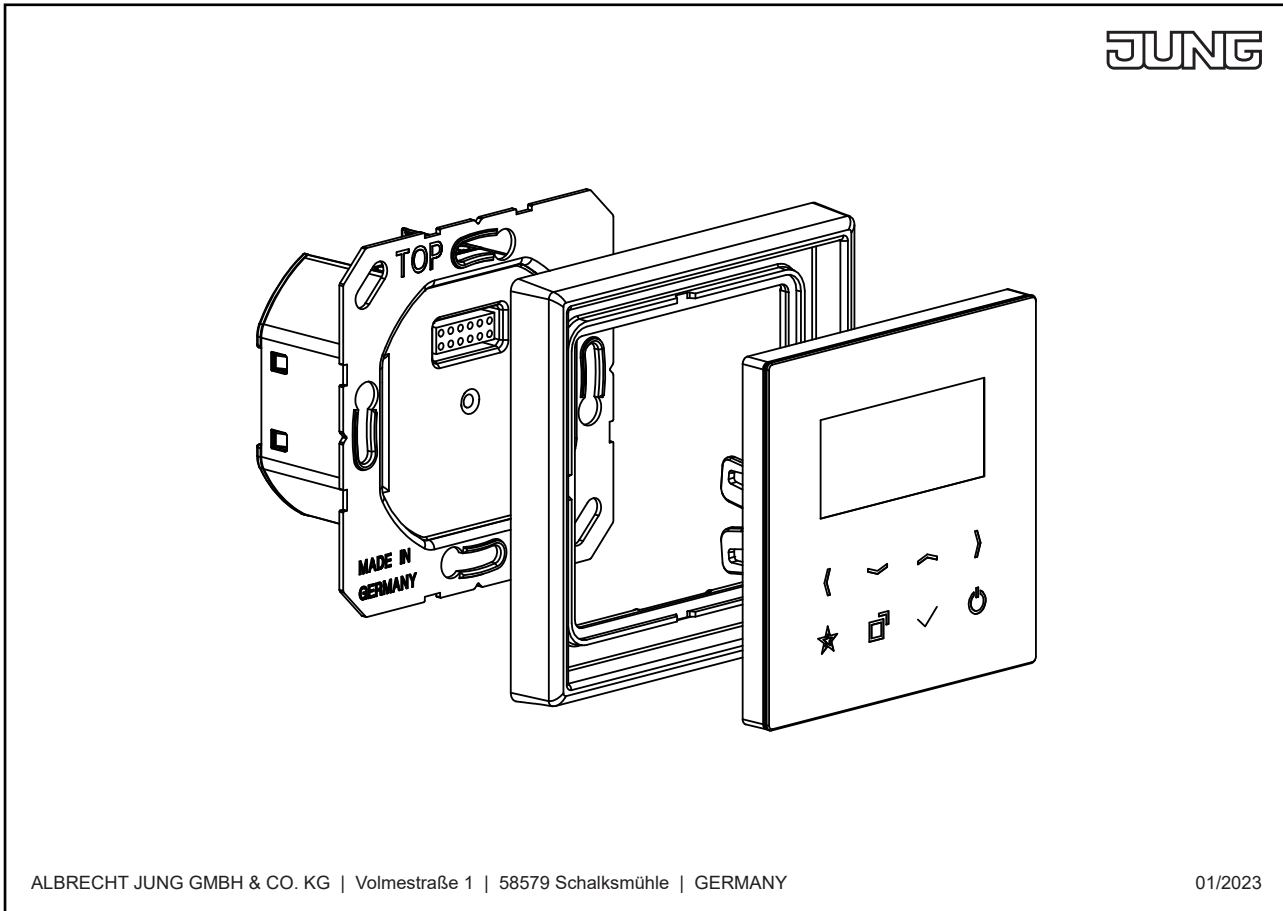
Technical data

Rated voltage:	AC 230 V ~
Mains frequency:	50/60 Hz
Connection	screw terminals
Terminals for:	1 x 2.5 mm ² or 1 x 1.5 mm ²
Power consumption stand-by:	< 1 W
Power consumption during operation:	< 4 W
Temperature range:	0 ... +50 °C
Atmospheric humidity:	15 ... 90 % (no condensation)
DAB frequency range:	174 ... 240 MHz
FM frequency range:	87.5 ... 108 MHz
Separate loudspeaker connection cable:	twin loudspeaker cable H03VH-H, 2 x 0.75 mm alternative: J-Y(St)Y 2 x 2 x 0.6 mm
Length of connected cable:	max. 5 m

Dimensions



Assembly



ALBRECHT JUNG GMBH & CO. KG | Volmestraße 1 | 58579 Schalksmühle | GERMANY

01/2023