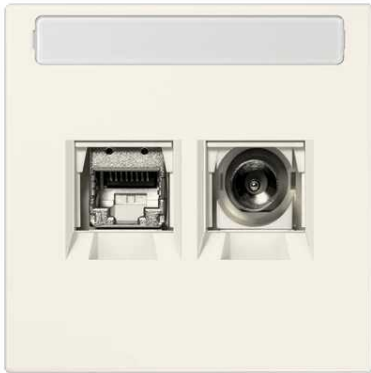


Smart TV socket 1-gang, with inscription field, thermoplastic, LS range, ivory

Reference number:	MMD LS 4521
EAN/GTIN:	4011377332492
Color:	ivory
Material:	thermoplastic (breakproof)

- Individual colour printing possible
- Individual laser engraving possible
- Individual inscription of paper inlays for inscription fields possible

Thermoplastic (breakproof) high-gloss

(with supporting frame, screw fixing only)

cover with snap-on fixing

with inscription field 9 x 58 mm

shutter with spring

including universal modular jack socket ref.-no.: UMA-CAT6A-25 and IEC plug module for antenna cables

Consider bending radius and various plug types. Ensure sufficient installation space.

Spare part:

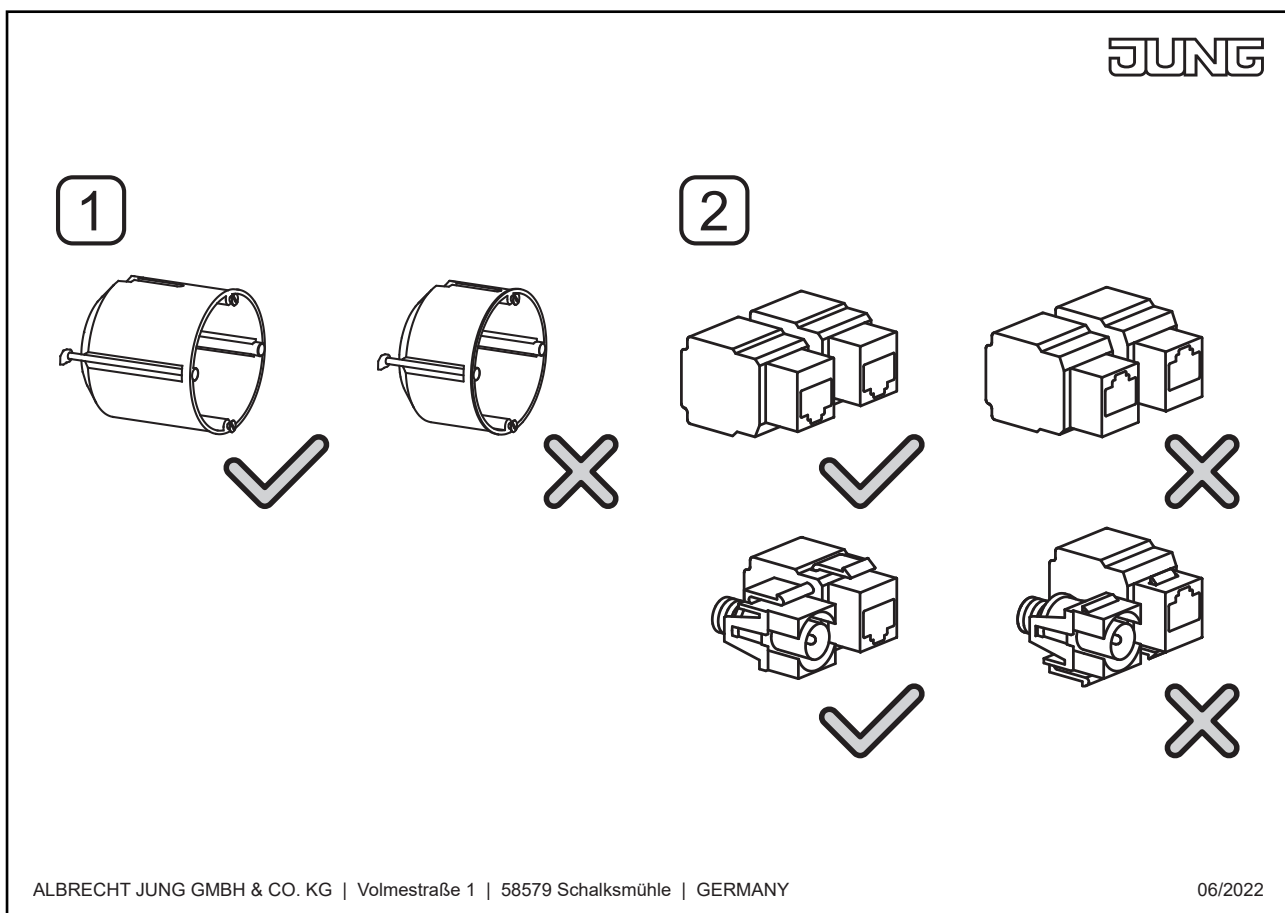
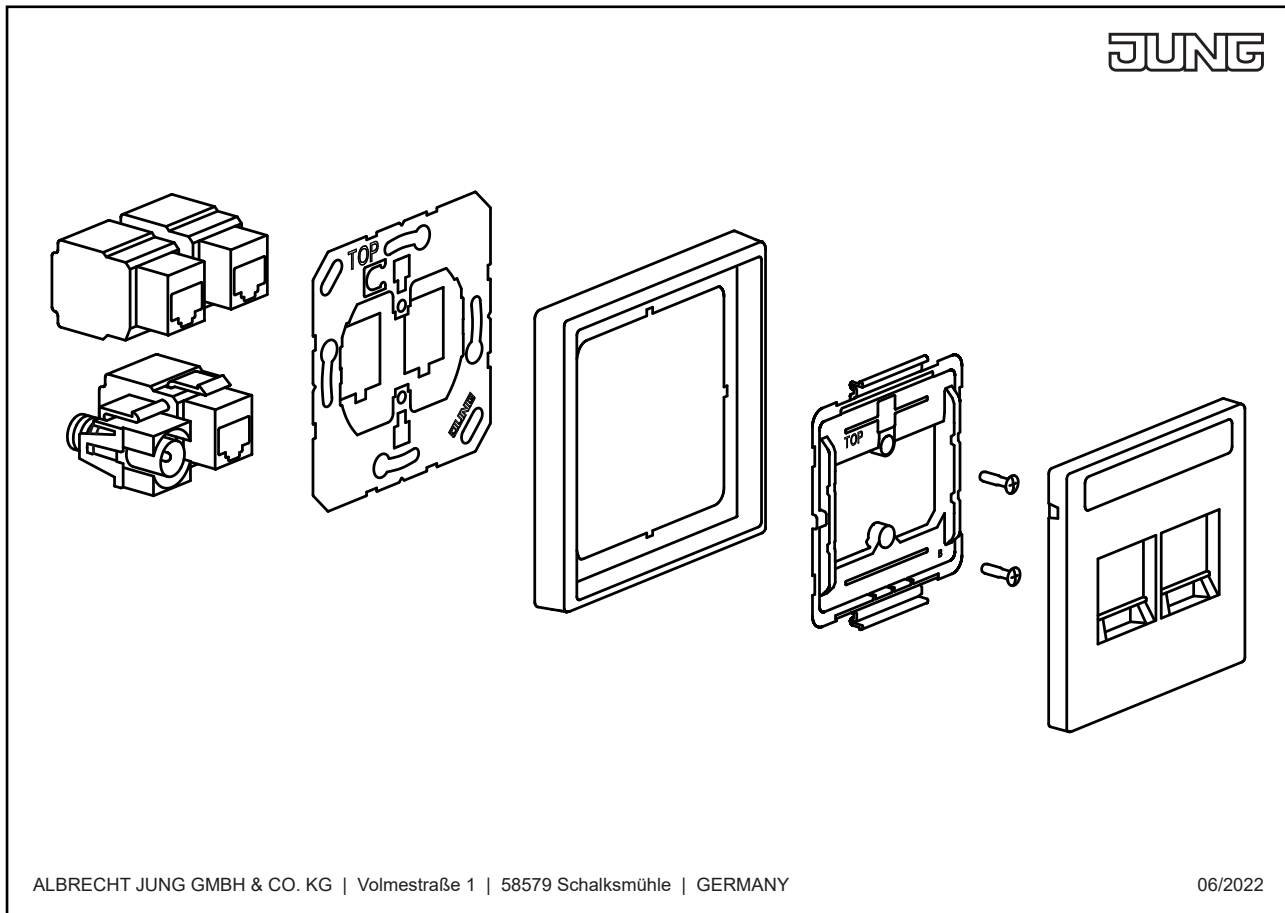
Transparent cover with paper inlay ref.-no.: CD 90 NA

Technical data

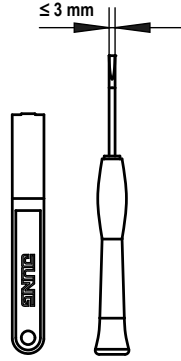
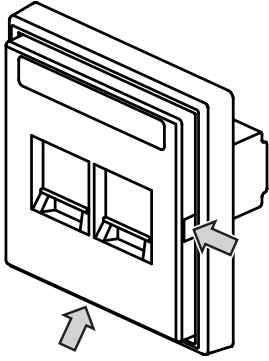
Specification IEC plug module

External connection:	IEC male, IEC 60169-2
Internal connection:	F female, IEC 60169-24
Impedance:	75 Ohm
Frequency range:	5 ... 2,400 MHz
Attenuation:	0.0 dB
Installation depth not considering cables	
Universal modular jack socket:	28 mm
IEC plug module:	30 mm
Use right angle plug.	
Consider bending radius. Ensure sufficient installation space.	

Assembly



1



2

