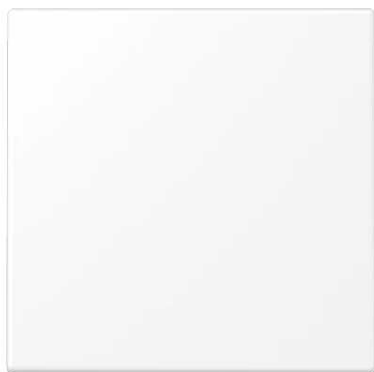


Rocker 1-gang, duroplastic lacquered, LS range, matt snow white

Reference number:	LS 990 WWM
EAN/GTIN:	4011377186927
Color:	matt snow white
Material:	duroplastic

-  Degree of protection IP44 is ensured with sealing gasket ref.-no. 551 WU and "IP44 frame" of the respective design range.
-  Individual colour printing possible

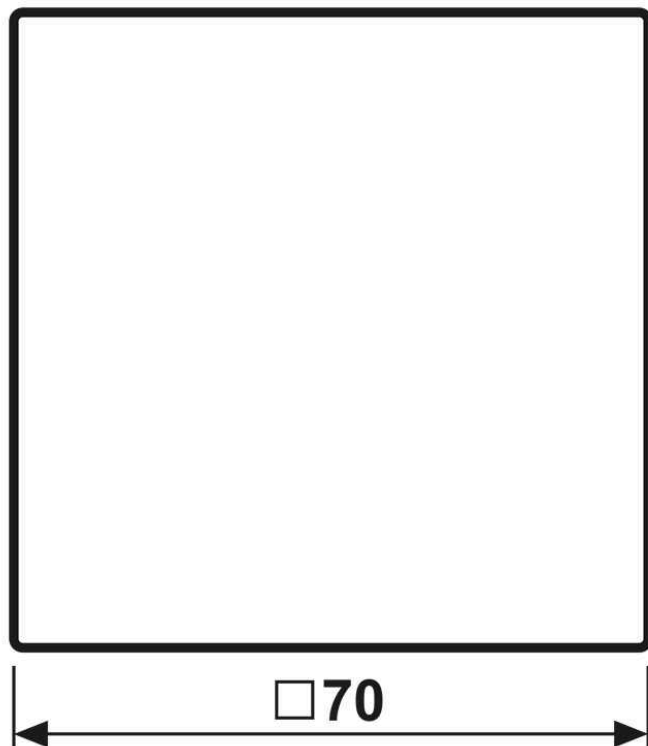
for switch ref.-no.: 501 U, 502 U, 503 U, 506 U, 507 U, 501-20 U, 506-20 U, 507-20 U
for push-button ref.-no.: 531 U, 532 U, 533 U, 533-2 U
for multi push-button ref.-no.: 531-41 U (not metal versions)
in combination with multi push-button no IP44 possible

Spare part:

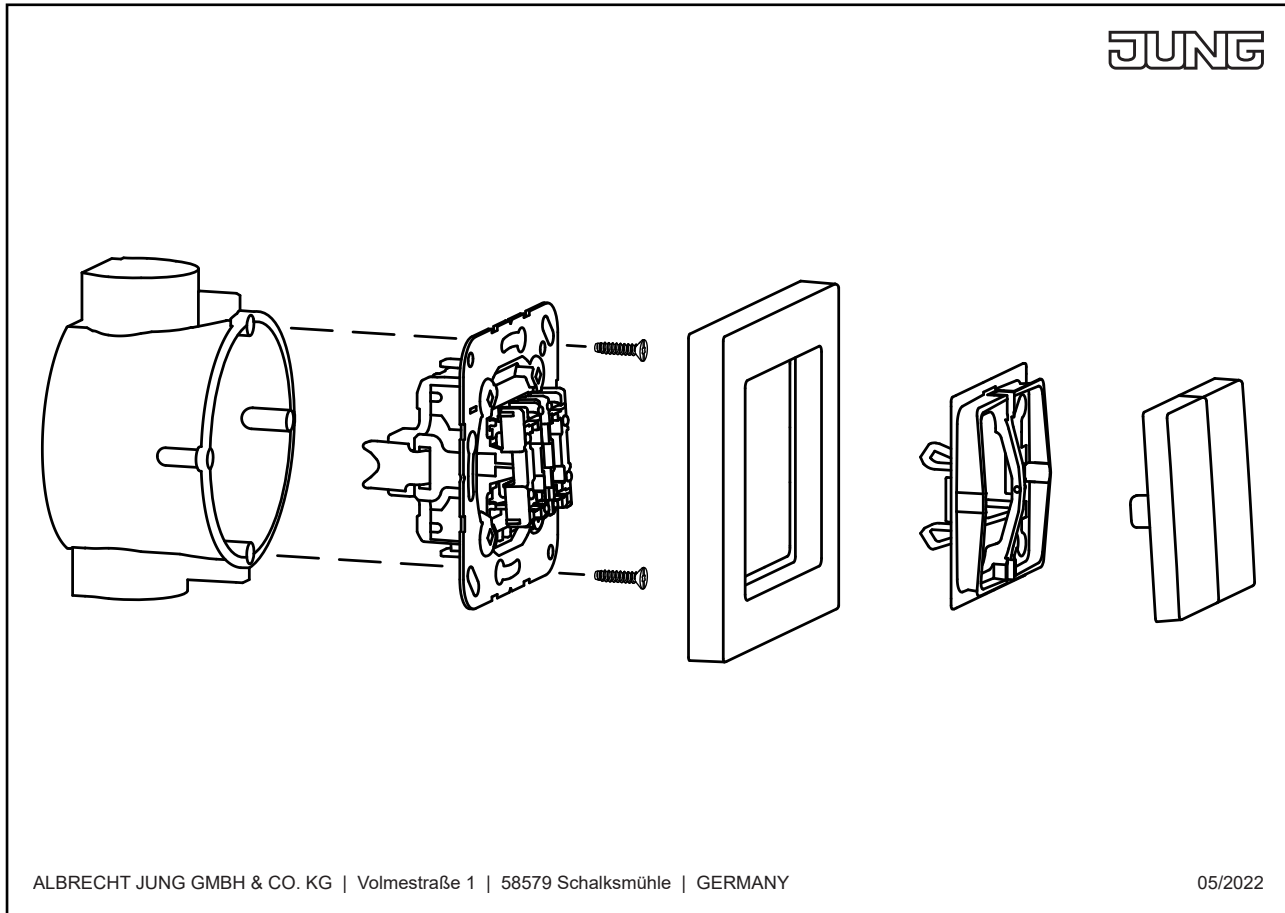
holder plate ref.-no.: CD 90 HP

For illuminated inserts use rocker with lens ref.-no.: ..KO...

Dimensions



Assembly



ALBRECHT JUNG GMBH & CO. KG | Volmestraße 1 | 58579 Schalksmühle | GERMANY

05/2022