

Universal rotary dimmer LED, flush-mounted



| | |
|-------------------|---------------|
| Reference number: | 1731 DD |
| EAN/GTIN: | 4011377166981 |



Universal rotary dimmer LED, 1731DD
incremental control without end position
with satellite input

Intended use

- Switching and dimming of lighting
- Operation with suitable cover
- Installation in flush box with dimensions according to DIN 49073

Product characteristics

- Device works according to the leading edge phase control or trailing edge phase control principle
- Automatic or manual setting of the dimming principle suitable for the load
- Display of the set operating mode by means of LED
- Device can be operated without neutral conductor
- Switch-on via bulb-preserving soft start
- Switch-on with last brightness or saved switch-on brightness
- Switch-on brightness can be saved permanently
- Minimum brightness can be saved permanently
- Maximum brightness can be saved permanently
- Connection of satellite units possible
- Electronic short-circuit protection with permanent switch-off after 7 seconds at the latest
- Electronic over-temperature protection
- Key card function
- Power extension possible by means of amplifiers (ref.-no. ULZ 1755 REG)
- Optional accessory: compensation module LED, ref.-no.: KM LED 230 U

Centre plates:

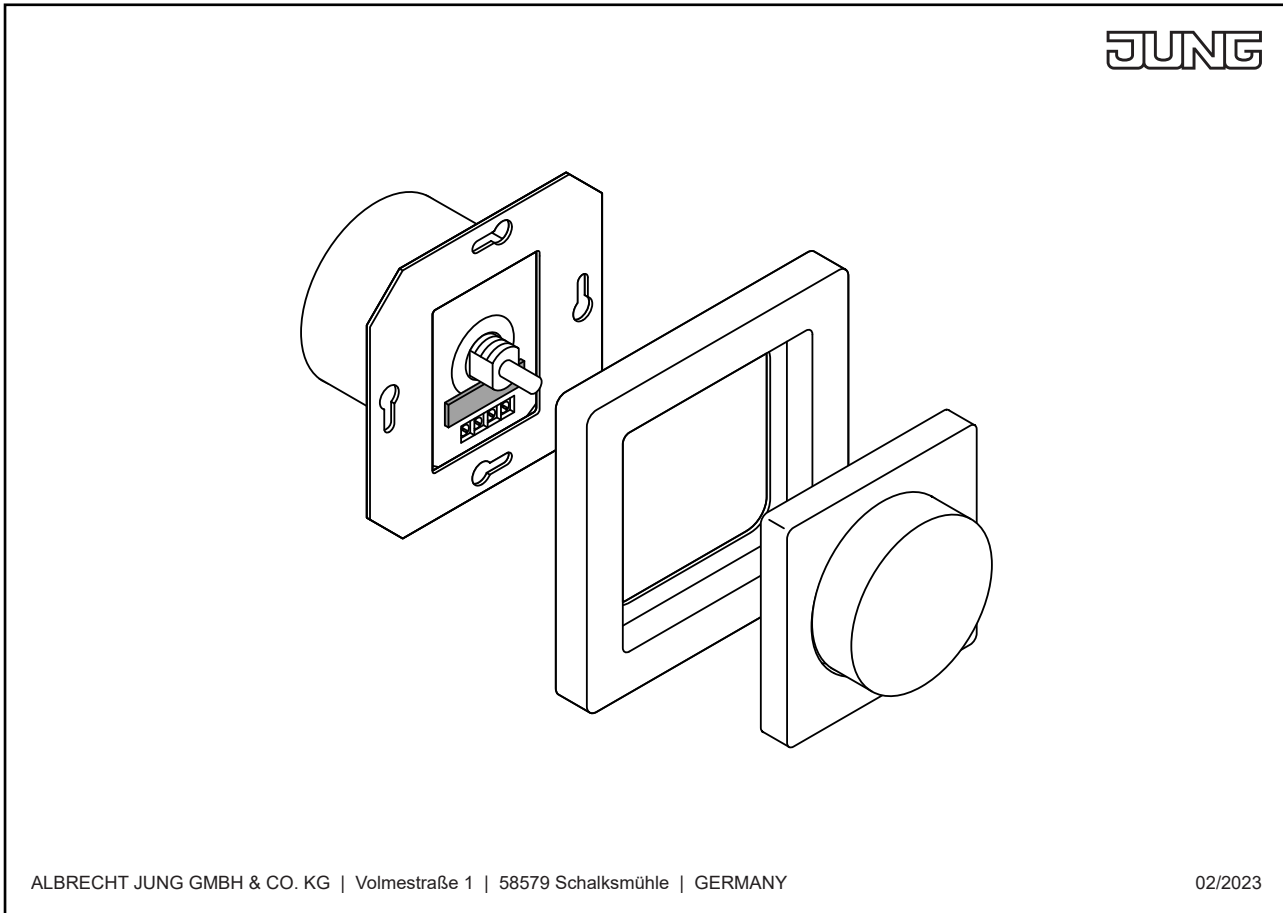
AS / A ranges: ref.-no. A 1740 ..
CD range: ref.-no. CD 1740 ..
LS range: ref.-no. LS 1740 .., .. 1740 ..

Technical data

| | |
|----------------|---------|
| Rated voltage: | 230 V ~ |
|----------------|---------|

| | |
|---|--------------------------------|
| Mains frequency: | 50/60 Hz |
| Stand-by power: | approx. 0.35 W |
| Power loss: | approx. 4 W |
| Ambient temperature: | -5 ... +45 °C |
| Connected load at 25 °C | |
| Incandescent lamps: | 20 ... 420 W |
| HV halogen lamps: | 20 ... 420 W |
| Electronic transformers: | 20 ... 420 W |
| Electronic transformers with LV LED: | typical 20 ... 100 W |
| Inductive transformers: | 20 ... 420 VA |
| Inductive transformers with LV LED: | typical 20 ... 100 VA |
| Dimmable HV LED lamps: | typical 3 ... 100 W |
| Dimmable compact fluorescent lamps: | typical 3 ... 100 W |
| Operating mode LED trailing edge phase control: Rated power for HV LED lamps, typ. 3 ... 400 W, electronic transformers with LV LED typ. 20 ... 200 W. | |
| Ohmic-capacitive: | 20 ... 420 W |
| Capacitive-inductive: | not permitted |
| Ohmic-inductive: | 20 ... 420 VA |
| Ohmic and HV LED: | typical 3 ... 100 W |
| Ohmic and CFL: | typical 3 ... 100 W |
| Amplifiers: | see instructions for amplifier |
| Connection | screw terminals |
| Number of satellite units | |
| Rotary satellite insert 3-wire 1733 DNE: | 10 |
| Satellite insert 3-wire 1723 NE: | 10 |
| Satellite insert 2-wire 1720 NE: | unlimited |
| Push-buttons: | unlimited |
| Total length of satellite cable: | max. 100 m |
| Total length power cable: | max. 100 m |

Assembly



ALBRECHT JUNG GMBH & CO. KG | Volmestraße 1 | 58579 Schalksmühle | GERMANY

02/2023