


## SCHUKO® socket, 16 A 250 V ~, with pilot light, with inscription field, Safety Plus, hinged lid, thermoplastic, LS range, green



<b>Reference number:</b>	LS 1520 NAKLKO GN
<b>EAN/GTIN:</b>	4011377157903
<b>Color:</b>	green
<b>Material:</b>	thermoplastic (breakproof)

 Degree of protection IP44 is ensured with sealing gasket ref.-no. 551 WU and "IP44 frame" of the respective design range.

 Individual colour printing possible

 Individual inscription of paper inlays for inscription fields possible

SCHUKO® socket, Safety Plus, with inscription field, LS1520NAKLKOGN

**with hinged lid (with spring)**

**with inscription field 9 x 39 mm**

**with pilot light (green LED) ref.-no.: 193-LED GN**

**with enhanced contact protection / shutter (Safety Plus)**

with screwless terminals for rigid and untreated flexible wires up to 2.5 mm<sup>2</sup>

without claws: ref.-no. with additional "N", e.g.: ..1520 N..

Supporting frame, claws and claw screws are integrated into the earth protection.

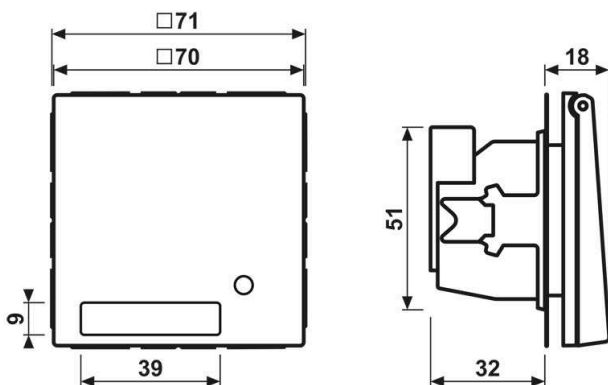
Spare pilot light exchangeable from the front without disconnecting the mains

### Spare part:

Transparent cover with paper inlay ref.-no.: LS 90 NA

Inscription fields may be customised using our GRAPHIC TOOL ([jung.group/gt](http://jung.group/gt)).

## Dimensions



## Assembly

**Notice!**

**Installation only by persons with relevant electrical knowledge and experience!\*)**

**Use only with original JUNG product components approved for this article.**

By inappropriate installation you endanger

- your own life,
- the life of the user of the electrical appliance.

By inappropriate installation you risk a high loss by damage, e.g. risk by fire.

You assume personal liability in cause of injury to persons or damage of appliances.

**Please contact a skilled electrician!**

**\*) Required technical knowledge for installation:**

For installation, especially the following technical knowledge is required:

- the 5 important safety rules: disconnect from mains, secure against reconnecting, verify parts are free of voltage, ground and short-circuit, cover or block off adjacent live parts
- select adequate tools, measuring devices and personal protective equipment
- evaluate measuring results
- selection of the electrical installation material to secure switch-off conditions
- IP protection levels
- installation of the electrical installation material
- type of electric power grid (TN system, IT system, TT system) and the resultant connection terms (common grounding, protective ground, required additional action etc.)