




SCHUKO® socket, 16 A 250 V ~, with pilot light, with inscription field, Safety Plus, hinged lid, thermoplastic, LS range, white



Reference number:	LS 1520 NAKLKO WW
EAN/GTIN:	4011377157958
Color:	white
Material:	thermoplastic (breakproof)

 Degree of protection IP44 is ensured with sealing gasket ref.-no. 551 WU and "IP44 frame" of the respective design range.

-  Individual colour printing possible
-  Individual laser engraving possible
-  Individual inscription of paper inlays for inscription fields possible

SCHUKO® socket, Safety Plus, with inscription field, LS1520NAKLKOWW

with hinged lid (with spring)

with inscription field 9 x 39 mm

with pilot light (green LED) ref.-no.: 193-LED GN

with enhanced contact protection / shutter (Safety Plus)

with screwless terminals for rigid and untreated flexible wires up to 2.5 mm²

without claws: ref.-no. with additional "N", e.g.: ..1520 N..

Supporting frame, claws and claw screws are integrated into the earth protection.

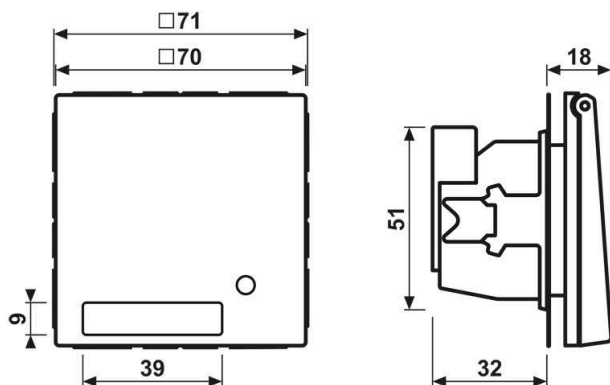
Spare pilot light exchangeable from the front without disconnecting the mains

Spare part:

Transparent cover with paper inlay ref.-no.: LS 90 NA

Inscription fields may be customised using our GRAPHIC TOOL (jung.group/gt).

Dimensions



Assembly

**Notice!**

Installation only by persons with relevant electrical knowledge and experience!*)

Use only with original JUNG product components approved for this article.

By inappropriate installation you endanger

- your own life,
- the life of the user of the electrical appliance.

By inappropriate installation you risk a high loss by damage, e.g. risk by fire.

You assume personal liability in cause of injury to persons or damage of appliances.

Please contact a skilled electrician!

***) Required technical knowledge for installation:**

For installation, especially the following technical knowledge is required:

- the 5 important safety rules: disconnect from mains, secure against reconnecting, verify parts are free of voltage, ground and short-circuit, cover or block off adjacent live parts
- select adequate tools, measuring devices and personal protective equipment
- evaluate measuring results
- selection of the electrical installation material to secure switch-off conditions
- IP protection levels
- installation of the electrical installation material
- type of electric power grid (TN system, IT system, TT system) and the resultant connection terms (common grounding, protective ground, required additional action etc.)