

## SCHUKO® socket, 16 A 250 V ~, hinged lid, thermoplastic lacquered, LS range, vert 59 (4320G)



<b>Reference number:</b>	LC 1520 BFKL 250
<b>EAN/GTIN:</b>	4011377226173
<b>Color:</b>	vert 59
<b>Material:</b>	thermoplastic (breakproof)

■ Individual colour printing possible

SCHUKO® socket, LC1520BFKL250

### with hinged lid (with spring)

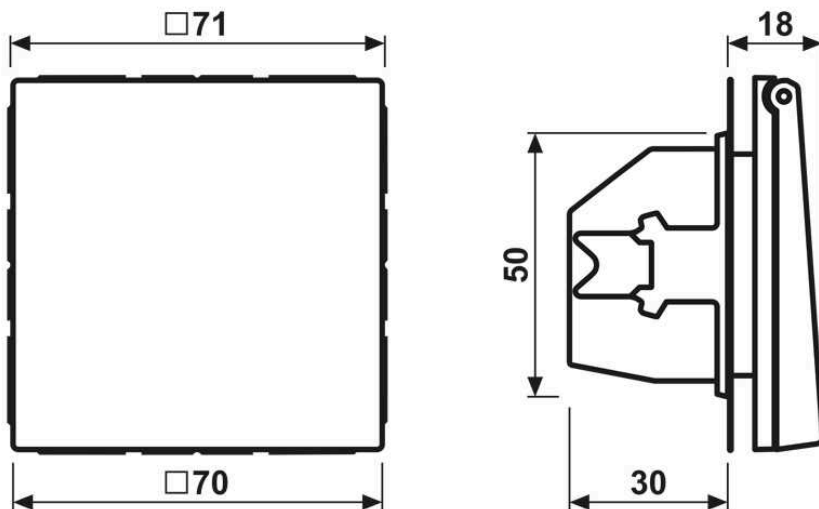
with screwless terminals for rigid and untreated flexible wires up to 2.5 mm<sup>2</sup>

without claws: ref.-no. with additional "N", e.g.: ..1520 N..

with screw terminals: ref.-no. ..1521..

Supporting frame, claws and claw screws are integrated into the earth protection.

### Dimensions



## Assembly

**Notice!**

**Installation only by persons with relevant electrical knowledge and experience!\*)**

**Use only with original JUNG product components approved for this article.**

By inappropriate installation you endanger

- your own life,
- the life of the user of the electrical appliance.

By inappropriate installation you risk a high loss by damage, e.g. risk by fire.

You assume personal liability in cause of injury to persons or damage of appliances.

**Please contact a skilled electrician!**

**\*) Required technical knowledge for installation:**

For installation, especially the following technical knowledge is required:

- the 5 important safety rules: disconnect from mains, secure against reconnecting, verify parts are free of voltage, ground and short-circuit, cover or block off adjacent live parts
- select adequate tools, measuring devices and personal protective equipment
- evaluate measuring results
- selection of the electrical installation material to secure switch-off conditions
- IP protection levels
- installation of the electrical installation material
- type of electric power grid (TN system, IT system, TT system) and the resultant connection terms (common grounding, protective ground, required additional action etc.)