

IS 2180 ECO

Anthracite
 EAN 4007841 064907
 Article number 064907



infrared sensor
180°

2000 W

max. 2000 W



max. Ø 12 m



IP54



Ideal 2 m



2 - 2000 lux



10 sec - 15 min



energy saving



CE

5 years

manufacturer's
warranty steinel.de/
garantie

Function description

Attractive, clever, efficient. Infrared motion detector IS 2180 ECO for outdoors, ideal for building fronts and properties, medium-sized business and outdoor spaces, ideal installation height 2 m, 180° angle of coverage, reach. 12 m max. or 5 m max. (tangential), selectable time and twilight threshold, manual override, for mounting on outside and inside corners.

Technical specifications

| | | | |
|----------------------------|---|---|---|
| Dimensions (L x W x H) | 55 x 78 x 120 mm | LED lamps > 2 W < 8 W | 175 W |
| With motion detector | Yes | LED lamps > 8 W | 350 W |
| Manufacturer's Warranty | 5 years | Capacitive load in µF | 132 µF |
| Settings via | Potentiometers | Power consumption | 0,5 W |
| With remote control | No | Technology, sensors | passive infrared, Light sensor |
| Version | Anthracite | Mounting height | 1,8 – 4 m |
| PU1, EAN | 4007841064907 | Mounting height max. | 4,00 m |
| Type | Motion detectors | Optimum mounting height | 2 m |
| Application, place | Outdoors | Detection angle | 180 ° |
| Application, room | outdoors, front door, all round the building, terrace / balcony, courtyard & driveway | Angle of aperture | 90 ° |
| Colour | Anthracite | Sneak-by guard | Yes |
| Colour, RAL | 7016 | Capability of masking out individual segments | Yes |
| Includes corner wall mount | No | Electronic scalability | No |
| Installation site | wall, corner | Mechanical scalability | No |
| Package content | 1 | Reach, radial | r = 1.5 m (4 m ²) / r = 3 m (14 m ²) |
| Installation | Surface wiring, Wall, corner | Reach, tangential | r = 5 m (39 m ²) / r = 12 m (226 m ²) |

IS 2180 ECO

Anthracite
EAN 4007841 064907
Article number 064907



Technical specifications

| | |
|---|----------------------|
| IP-rating | IP54 |
| Ambient temperature | from -20 up to 50 °C |
| Material | Plastic |
| Mains power supply | 230 V / 50 Hz |
| Switching output 1, resistive | 2000 W |
| Switching output 1, floating | No |
| Fluorescent lamps, electronic ballast | 350 W |
| Fluorescent lamps, uncorrected | 500 VA |
| Fluorescent lamps, series-corrected | 900 VA |
| Fluorescent lamps, parallel-corrected | 500 VA |
| Switching output 1, low-voltage halogen lamps | 1000 VA |
| LED lamps < 2 W | 100 W |

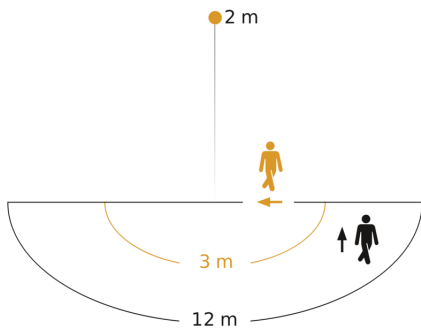
| | |
|----------------------------|---------------------|
| Switching zones | 508 switching zones |
| Cover material | shrouds |
| Twilight setting | 2 – 2000 lx |
| Time setting | 10 s – 15 Min. |
| Basic light level function | No |
| Main light adjustable | No |
| Twilight setting TEACH | No |
| Constant-lighting control | No |
| Interconnection | Yes |
| Type of interconnection | Master/master |
| Interconnection via | Cable |
| Product category | Motion detector |

IS 2180 ECO

Anthracite
 EAN 4007841 064907
 Article number 064907

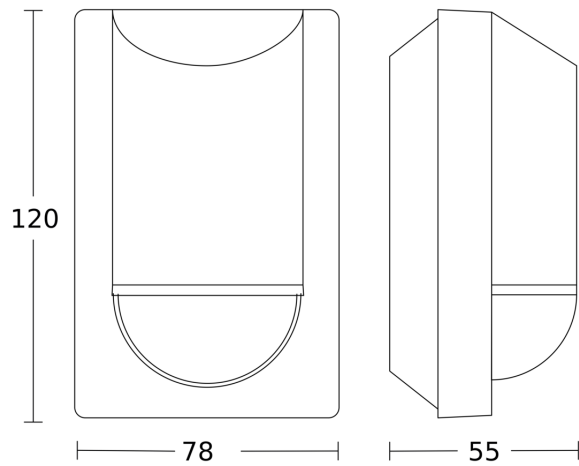


Detection Zone

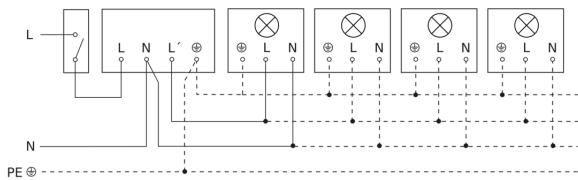


Possible mounting height: 1,80 m - 4,00 m
 Orange: radial
 Black: tangential

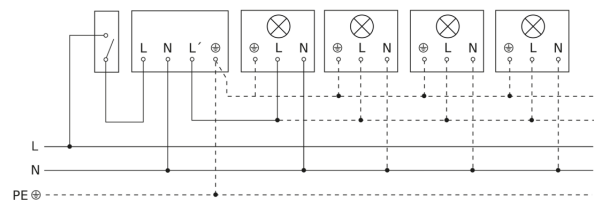
Dimension Drawing



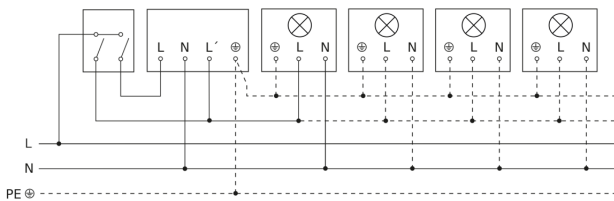
Light without neutral conductor



Light with neutral conductor



Connection using two-circuit switch for manual and automatic operation



Connection of 4-fold push-button coupler to DALI2 APC

