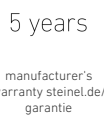
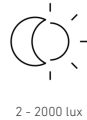
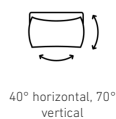


IS 2160 ECO

white
 EAN 4007841 606015
 Article number 606015



Function description

This one sees everything. Infrared motion detector IS 2160 ECO for indoors and out, ideal for entrances and the smaller-size property, ideal installation height 2 m, 160° angle of coverage, max. reach 12 m (tangential), selectable time and twilight threshold, turns through 40° and tilts through 70°.

Technical specifications

Dimensions (L x W x H)	73 x 78 x 113 mm
Manufacturer's Warranty	5 years
Settings via	Potentiometers
With remote control	No
Version	white
PU1, EAN	4007841606015
Type	Motion detectors
Application, place	Outdoors, Indoors
Application, room	outdoors, front door, all round the building, terrace / balcony, courtyard & driveway
Colour	white
Colour, RAL	9010
Includes corner wall mount	No
Installation site	wall
Package content	1
Installation	Surface wiring, Wall
IP-rating	IP54

LED lamps > 2 W < 8 W	125 W
LED lamps > 8 W	250 W
Capacitive load in µF	88 µF
Technology, sensors	passive infrared, Light sensor
Mounting height	1,80 – 3,00 m
Mounting height max.	3,00 m
Optimum mounting height	2 m
Detection angle	160 °
Angle of aperture	40 °
Sneak-by guard	No
Capability of masking out individual segments	Yes
Electronic scalability	No
Mechanical scalability	No
Reach, radial	r = 3 m (13 m ²)
Reach, tangential	r = 12 m (201 m ²)
Switching zones	260 switching zones
Twilight setting	2 – 2000 lx

IS 2160 ECO

white
EAN 4007841 606015
Article number 606015



Technical specifications

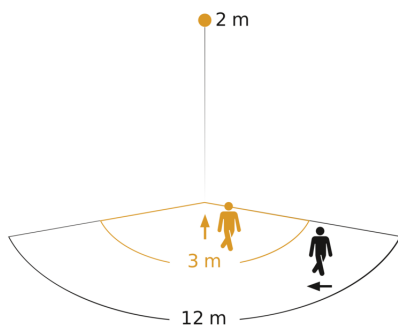
Ambient temperature	from -20 up to +50 °C
Material	Plastic
Mains power supply	230 – 240 V / 50 Hz
Switching output 1, resistive	600 W
Fluorescent lamps, electronic ballast	250 W
Fluorescent lamps, uncorrected	500 VA
Fluorescent lamps, series-corrected	500 VA
Fluorescent lamps, parallel-corrected	500 VA
Switching output 1, low-voltage halogen lamps	500 VA
LED lamps < 2 W	100 W

Time setting	8 s – 35 Min.
Basic light level function	No
Main light adjustable	No
Twilight setting TEACH	No
Constant-lighting control	No
Interconnection	Yes
Type of interconnection	Master/master
Interconnection via	Cable
Product category	Motion detector

IS 2160 ECO

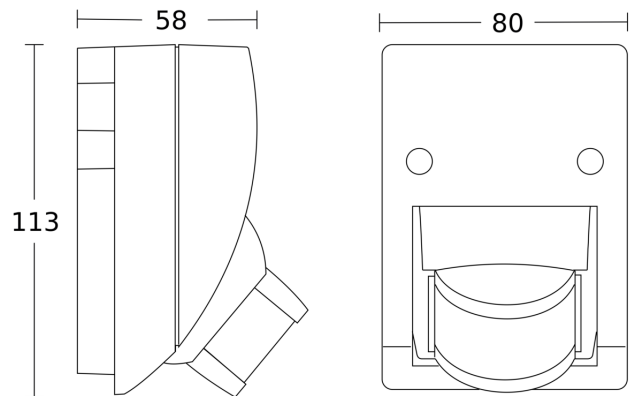
white
EAN 4007841 606015
Article number 606015

Detection Zone



Possible mounting height: 1,80 m - 3,00 m
Orange: radial
Black: tangential

Dimension Drawing



Circuit diagram

