

# IS 2140 ECO

white  
 EAN 4007841 034672  
 Article number 034672



infrared sensor  
140°



max. 14 m

2000 W

max. 2000 W



IP54



180° horizontal, 90°  
vertical



2 - 2000 lux



8 sec - 35 min



Ideal 2 m



energy saving

5 years

manufacturer's  
warranty steinel.de/  
garantie

## Function description

Simply child's play. Getting started with the classic sensor. The classic one, now with even more class. Infrared motion detector IS 2140 ECO for indoors and out, ideal for targeted detection close to buildings, 140° angle of coverage, reach up to 14 m, selectable time and twilight threshold, sensor swivels through 180° and tilts through 90° for exact adjustment of the detection zone.

## Technical specifications

Dimensions (L x W x H)	83 x 99 x 86 mm	Switching output 1, low-voltage halogen lamps	1000 VA
Manufacturer's Warranty	5 years	LED lamps < 2 W	100 W
Settings via	Potentiometers	LED lamps > 2 W < 8 W	125 W
Version	white	LED lamps > 8 W	250 W
PU1, EAN	4007841034672	Technology, sensors	passive infrared, Light sensor
Type	Motion detectors	Mounting height	1,80 – 3,00 m
Application, place	Outdoors, Indoors	Mounting height max.	3,00 m
Application, room	outdoors, front door, all round the building, terrace / balcony, courtyard & driveway	Optimum mounting height	2 m
Colour	white	Detection angle	140 °
Colour, RAL	9010	Sneak-by guard	Yes
Installation site	wall	Capability of masking out individual segments	Yes
Installation	Surface wiring, Wall	Electronic scalability	No
IP-rating	IP54	Mechanical scalability	No
Ambient temperature	from -20 up to 50 °C	Reach, radial	r = 3 m (11 m <sup>2</sup> )
Material	Plastic	Reach, tangential	r = 14 m (239 m <sup>2</sup> )
Mains power supply	230 – 240 V / 50 – 60 Hz	Twilight setting	2 – 2000 lx

Motion detector - Professional Line

# IS 2140 ECO

white  
EAN 4007841 034672  
Article number 034672



## Technical specifications

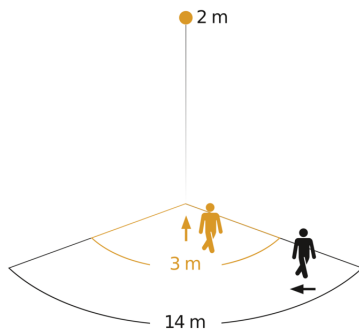
Switching output 1, resistive	2000 W	Time setting	8 s – 35 Min.
Fluorescent lamps, electronic ballast	250 W	Basic light level function	No
Fluorescent lamps, uncorrected	500 VA	Main light adjustable	No
Fluorescent lamps, series-corrected	1000 VA	Product category	Motion detector
Fluorescent lamps, parallel-corrected	500 VA		

# IS 2140 ECO

white  
 EAN 4007841 034672  
 Article number 034672

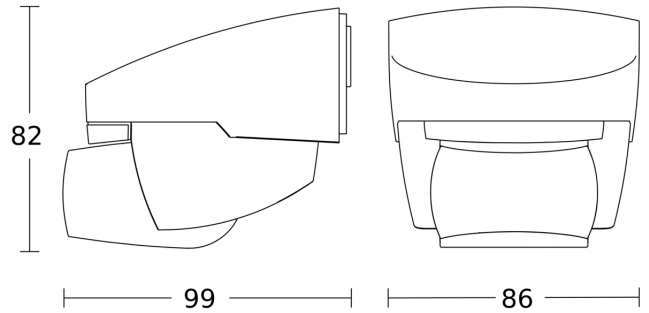


## Detection Zone

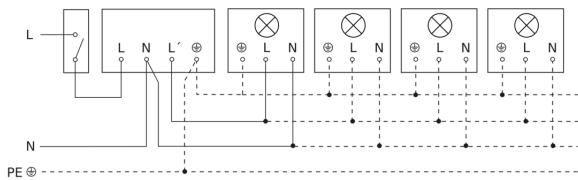


Possible mounting height: 1,80 m - 3,00 m  
 Orange: radial  
 Black: tangential

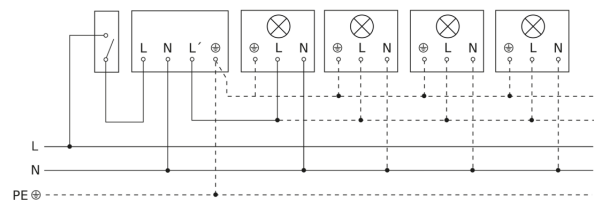
## Dimension Drawing



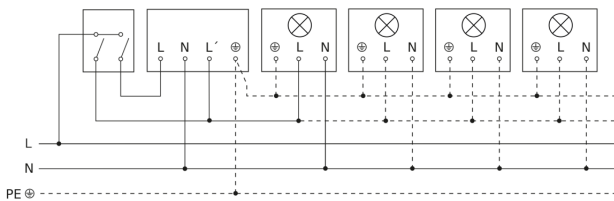
## Light without neutral conductor



## Light with neutral conductor



## Connection using two-circuit switch for manual and automatic operation



## Circuit diagram Connection via a changeover switch for continuous and automatic operation

