



CZF-2

Phase failure relay

Index: CZF-2

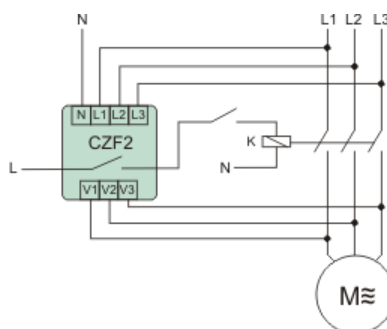
With fixed actuation threshold voltage asymmetry.

Three phase monitor serves to protect the three-phase electric motors supplied from three-phase mains, against phase collapse in at least one phase or against phase-to-phase voltage asymmetry or against damage of contacts threatening to damage the motor.



FUNCTIONING

DESCRIPTION



Functioning

Phase collapse in at least one, optional phase or voltage unbalance between phase fixed actuation threshold causes switching-OFF the motor. The motor switching-OFF occurs with 4 sec delay, which prevents any accidental motor disconnecting at temporary voltage drop. The re-connection will occur automatically at voltage increase of 5V above activation voltage (i.e. of value of voltage hysteresis). At occurrence of these disturbances, it is not possible to set a motor in motion. Shining of red diode LED along with simultaneous disconnecting the apparatus permanently, indicates contactor contacts damage. Reactivation of the apparatus is possible (after contact repair), after disconnecting from supply all three phases (fuses) and then, after switching-ON anew.

TECHNICAL DATA

With detachable clamps	No
External power supply required	Yes
Phase sequence monitoring	No
Phase failure detection	Yes
Function under voltage detection	Yes
Function overvoltage detection	No
Phase imbalance monitoring	Yes
Min. adjustable off-delay time	4 s
Max. permitted off-delay time	4 s
Number of contacts as normally open contact	0
Height	60 mm
Depth	25 mm
Type of electric connection	Screw connection
Supply voltage AC 50 Hz	150-280 V
Min. adjustable delay-on energization time	4 s
Max. permitted delay-on energization time	4 s
Number of contacts as normally closed contact	1
Number of contacts as change-over contact	0
Operating voltage AC 50 Hz	150-280 V
Rated switch current	10 A
Width	95 mm
Voltage type (supply voltage)	AC
Voltage type (operating voltage)	AC

[Manual](#)

[REACH Declaration](#)

[RoHS Declaration](#)