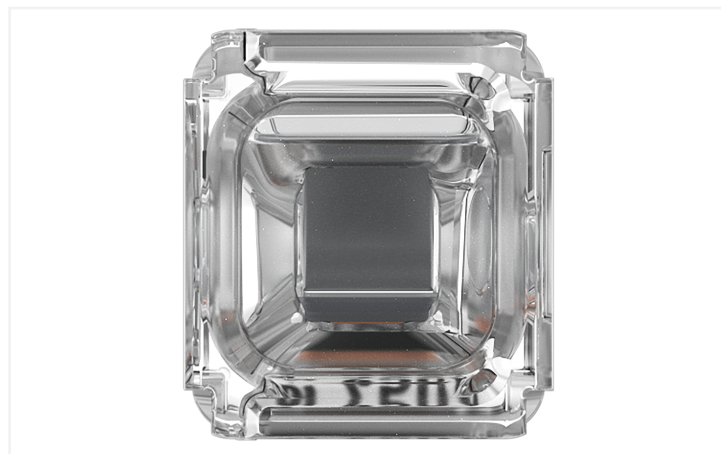


**Data Sheet | Item Number: 2773-2401**

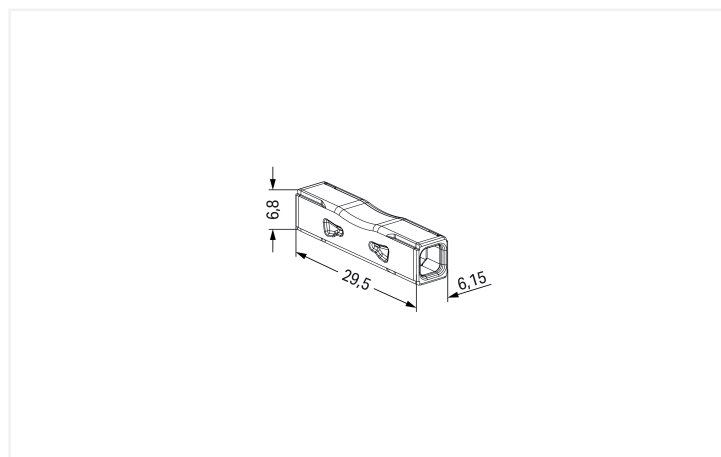
PUSH WIRE® Inline Splicing Connector; for solid and stranded conductors; max. 4 mm<sup>2</sup>; 2-conductor; transparent housing; Transparent cover; Surrounding air temperature: max 85°C (T85); 4,00 mm<sup>2</sup>; transparent



<https://www.wago.com/2773-2401>



Color:  transparent



Push wire® inline splicing connector, 2773 Series, transparent

Seamless electrical installations are guaranteed with push wire® inline splicing connector (item number 2773-2401). This series of PUSH WIRE® connectors ensures safe and quick connections in both surface-mounted and flush-mounted junction boxes in any building, regardless of installation complexity. Conductors should only be connected to push wire® inline splicing connector if their strip length is between 10 and 11 mm. Our splicing connector is rated for 450 V and is designed for use with a rated current of up to 32 A. It is therefore suitable for high-load applications. This product features con-

ductor terminals and utilizes PUSH WIRE®. Our PUSH WIRE® connection is the quick and easy method for connecting solid conductors. The dimensions are (6.15 x 6.8 x 29.5) mm (width x height x depth). Depending on the conductor type, push wire® inline splicing connector is designed for conductor cross sections ranging from 0.75 mm<sup>2</sup> to 4 mm<sup>2</sup>.

The contact surface is coated with tin.

Notes	
General safety information	<p><b>NOTICE: Observe installation and safety instructions!</b></p> <ul style="list-style-type: none"> <li>• <b>Only to be used by electricians!</b></li> <li>• Do not work under voltage/load!</li> <li>• Use only for proper use!</li> <li>• Observe national regulations/standards/guidelines!</li> <li>• Observe technical specifications for the products!</li> <li>• Observe the number of permissible potentials!</li> <li>• Do not use damaged/dirty components!</li> <li>• Observe conductor types, cross-sections and strip lengths!</li> <li>• Insert conductor until it hits the product's backstop!</li> <li>• Use original accessories!</li> <li>• Only reusable with solid conductors!</li> </ul> <p><b>To be sold only with installation instructions!</b></p>

Electrical data								
Ratings per		EN 60664			Approvals per		UL 486C	
Overvoltage category	III	III	II	Use group	B	C	D	
Pollution degree	3	2	2	Rated voltage	-	600 V	-	
Nominal voltage	-	-	450 V	Rated current	-	20 A	-	
Rated impulse withstand voltage	-	-	4 kV					
Rated current	-	-	32 A					

General information	
Wiring direction	Side-entry wiring

Connection Data		Connection 1	
Clamping units	2	Connection technology	PUSH WIRE®
Total number of potentials	1	Actuation type	Push-in
		Solid conductor	0.75 ... 4 mm <sup>2</sup> / 18 ... 12 AWG
		Stranded conductor	1.5 ... 4 mm <sup>2</sup>
		Fine-stranded conductor; with insulated ferrule	0.75 ... 1.5 mm <sup>2</sup> / 18 ... 16 AWG
		Fine-stranded conductor; with uninsulated ferrule	1 ... 1.5 mm <sup>2</sup> / 16 AWG
		Conductor diameter	1.6 ... 2 mm / 18 ... 12 AWG
		Strip length	10 ... 11 mm / 0.39 ... 0.43 inches
		Wiring direction	Side-entry wiring

### Physical data

Width	6.15 mm / 0.242 inches
Height	6.8 mm / 0.268 inches
Depth	29.5 mm / 1.161 inches

### Material data

Note (material data)	<a href="#">Information on material specifications can be found here</a>
Color	transparent
Cover color	transparent
Material group	IIIa
Insulation material (main housing)	Polycarbonate (PC)
Flammability class per UL94	V2
Clamping spring material	Chrome-nickel spring steel (CrNi)
Contact material	Electrolytic copper (E <sub>Cu</sub> )
Contact Plating	Tin
Fire load	0.025 MJ
Weight of insulation material	0.8 g
Weight	1.4 g

### Environmental requirements

Ambient temperature (operation)	+85 °C
Processing temperature	-35 ... +60 °C
Continuous operating temperature	105 °C

### Commercial data

PU (SPU)	1000 (100) pcs
Packaging type	Box
Country of origin	CH
GTIN	4066966321630
Customs tariff number	85369010000

### Product Classification

UNSPSC	39121409
ETIM 9.0	EC000446
ETIM 10.0	EC000446
ECCN	NO US CLASSIFICATION

### Environmental Product Compliance

RoHS Compliance Status	Compliant, No Exemption
------------------------	-------------------------

**Approvals / Certificates**

**General approvals**

**Declarations of conformity and manufacturer's declarations**



Approval	Standard	Certificate Name
CB DEKRA Certification B.V.	IEC 60998	NL-86543
cULus_Listed_667F Underwriters Laboratories Inc.	UL 486C	UL-US- L69654-11-31308102-4
ENEC 05 DEKRA Certification B.V.	EN 60998	71-127515

Approval	Standard	Certificate Name
EU-Declaration of Confor- mity WAGO GmbH & Co. KG	-	-

**Downloads**

**Environmental Product Compliance**

Compliance Search
Environmental Product Compliance 2773-2401

**CAD/CAE-Data**

CAD data
2D/3D Models 2773-2401

**1 Compatible Products**

**1.1 Optional Accessories**

**1.1.1 General accessories**

**1.1.1.1 Cable repair**



**Item No.: 207-5485/316-000**  
 cable repair set; for multicore cables;  
 Straight-through; with glue; Cable diame-  
 ter 8 - 24 mm; with enclosed splicing  
 connectors; medium-walled; black

### Installation Notes

#### Conductor termination



Strip conductor to 10 mm.



Insert the conductor.



Check for the correct conductor position.

#### Conductor removal

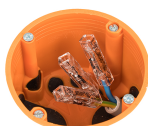


Twist the connector alternately left and right while pulling it off the conductor.

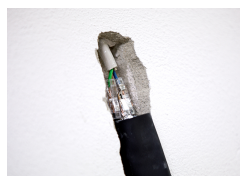
#### Application



Wiring conductors in a flush-mounted junction box.



Extending short wires.



Use with a shrink tube



Use of the inline splicing connector (for plugging in with a shrink tube) in the cable repair set 207-5485/316-000.

#### Application



Damaged cable



Strip the damaged cable approx. 10 cm uniformly around the damaged area.



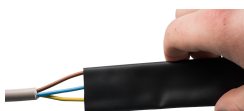
Cut out the damaged areas in the copper and disconnect all other conductors. For damaged areas between 1 mm and 30 mm, at least 30 mm of the damaged conductor must be removed. Tip: A connector (approx. 30 mm long) can be used as a length guide.



Strip conductor and conductor bridge to 10 mm specified and insert into connector. Only one connector is required for damage points < 1 mm or conductors with a flat cut. Two connectors with wire jumpers must be used for damage points > 1 mm.



Strip 10 mm conductor per specification and insert connector (example shows staggered connectors).



Pull the shrink tube over the cable end.



The shrink tube must have an overlap length of at least 30 mm on the cable sheath.



Heat the shrink tube evenly with a hot air blower between 110°C and 200°C.

## Application



The shrinking process is only completed when the shrink tube is tightly connected to the cable and the adhesive has visibly melted (see photo).