



## DK 0200 B



- Cable junction box for normal environment and protected outdoor
- without terminals
- dimensions H x W x D: 93 x 93 x 62 mm
- with elastic membranes, which can be removed for cable entry via cable glands

## ELECTRICAL PROPERTIES

Rated insulation voltage:  $U_i = 1000 \text{ V}$

## CONNECTION DATA

### CABLE ENTRIES

Cable entries:

Number of cable entries	Type of cable entry	Size of the metric knock-outs	Sealing range of the cable entry	Position of cable entry
7	elastic membranes	M20	6 mm - 15 mm	wall
1	elastic membranes	without	6 mm - 13 mm	bottom

## MECHANICAL PROPERTIES

Type of lid fastening: Quick locking: opening and closing by quarter turn, locked position well visible (open - locked)

Delivered accessories:	External brackets, retaining strap, sealing plug
IP degree of protection:	IP66
Impact strength:	IK07
Sealable without accessories:	Yes

## AMBIENT CONDITIONS

Application area:	Indoor installation
Maximum ambient temperature 24 h:	35 °C
Ambient temperature:	-25 °C up to +40 °C
Relative humidity:	≤ 50 % at 40 °C, ≤ 100 % at 25 °C

## MATERIAL PROPERTIES

Material:	Polypropylene
Glow wire test according to IEC 60695-2-11:	750 °C
UL 94:	V-2
Temperature resistance:	-25 °C up to +80 °C
Halogen-free:	Yes
Silicone-free:	Yes

## DIMENSIONS

Height:	93 mm
Width:	93 mm
Depth:	62 mm
Net weight:	0.099 kg
Mounting height:	74 mm
Mounting width:	74 mm
Mounting depth:	47 mm

## CERTIFICATES

conforming to the standards: DIN EN 60670-1/-22, IEC 60670-1/-22

Certificates:

Type of certificate	Certificate number
VDE	40049684

## SALES DATA

Product number: 62000295  
EAN: 4012591134374  
Pack unit: 5  
Customs tariff number: 85369010  
ETIM class: DYNAMIC: EC002600 - Box/housing for surface mounting on the wall/ceiling  
ETIM-8.0: EC002600 - Box/housing for surface mounting on the wall/ceiling  
ETIM-7.0: EC002600 - Box/housing for surface mounting on the wall/ceiling  
ETIM-6.0: EC002600 - Box/housing for surface mounting on the wall/ceiling  
ETIM-5.0: EC002600 - Box/housing for surface mounting on the wall/ceiling  
ETIM-4.0: EC002600 - Box/housing for surface mounting on the wall/ceiling

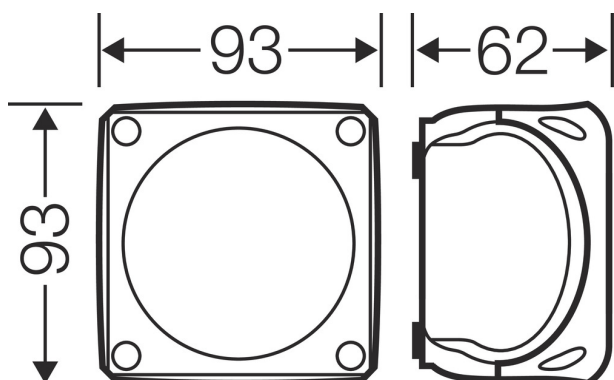
## NOTE

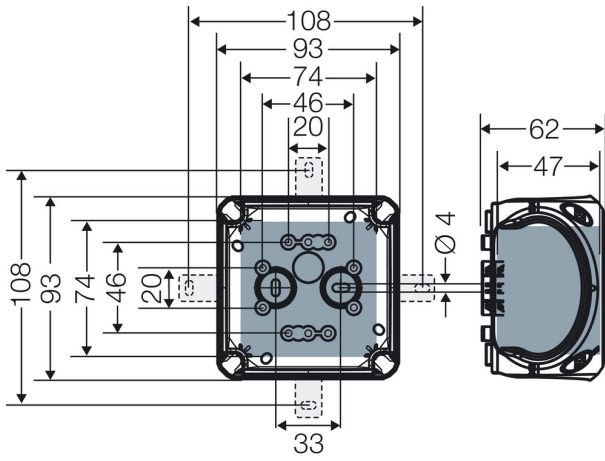
When using the sealing plugs supplied, the specified protection class is not changed.

## TENDER TEXT

Cable junction boxes in accordance with IEC 60670-22 with removable elastic membranes. Suitable for indoor and protected outdoor installation in accordance with DIN VDE 0100, part 737. For ambient temperatures maximum value +40 °C and minimum value -25 °C, with relative humidity of 50 % at +40 °C or 100 % at +25 °C. Material temperature resistance from -25 °C to +70 °C, burning behaviour according to IEC 60695-2-11 - glow wire test 750°C, UL Subject 94 V-2. Degree of protection in accordance with IEC 60529: IP 66. Rated insulation voltage: 1000 V. Material: thermoplastics, halogen- and silicone-free. Colour: black, RAL 9011. Lid fastening with quick fasteners, sealable without accessories. Plug-in external brackets for wall mounting included. Make: HENSEL ENYCASE DK.  
Nominal cross-section: 2.5 mm<sup>2</sup>, dimensions HxWxD 93 x 93 x 62 mm

## DRAWINGS





2x Ø6-15 mm

2xM20



2x Ø6-15 mm

2xM20

2x Ø6-15 mm

2xM20



1x Ø6-15 mm

1xM20