



DK 0600 B



- Cable junction box for normal environment and protected outdoor
- without terminals
- dimensions H x W x D: 130 x 130 x 77 mm
- with elastic membranes, which can be removed for cable entry via cable glands

ELECTRICAL PROPERTIES

Rated insulation voltage: $U_i = 1000 \text{ V}$

CONNECTION DATA

CABLE ENTRIES

Cable entries:

Number of cable entries	Type of cable entry	Size of the metric knock-outs	Sealing range of the cable entry	Position of cable entry
7	elastic membranes	M25, M32	9 mm - 21 mm	wall
1	elastic membranes	without	9 mm - 20 mm	bottom

MECHANICAL PROPERTIES

Type of lid fastening:	Quick locking: opening and closing by quarter turn, locked position well visible (open - locked)
Delivered accessories:	External brackets, retaining strap, sealing plug
IP degree of protection:	IP66
Impact strength:	IK07
Sealable without accessories:	Yes

AMBIENT CONDITIONS

Application area:	Indoor installation
Maximum ambient temperature 24 h:	35 °C
Ambient temperature:	-25 °C up to +40 °C
Relative humidity:	≤ 50 % at 40 °C, ≤ 100 % at 25 °C

MATERIAL PROPERTIES

Material:	Polypropylene
Glow wire test according to IEC 60695-2-11:	750 °C
UL 94:	V-2
Temperature resistance:	-25 °C up to +80 °C
Halogen-free:	Yes
Silicone-free:	Yes

DIMENSIONS

Height:	130 mm
Width:	130 mm
Depth:	77 mm
Net weight:	0.173 kg
Mounting height:	102 mm
Mounting width:	102 mm
Mounting depth:	62 mm

CERTIFICATES

conforming to the standards: DIN EN 60670-1/-22, IEC 60670-1/-22

Certificates:

Type of certificate	Certificate number
VDE	40049684

SALES DATA

Product number: 62000299
EAN: 4012591134428
Pack unit: 5
Customs tariff number: 85369010
ETIM class: DYNAMIC: EC002600 - Box/housing for surface mounting on the wall/ceiling
ETIM-8.0: EC002600 - Box/housing for surface mounting on the wall/ceiling
ETIM-7.0: EC002600 - Box/housing for surface mounting on the wall/ceiling
ETIM-6.0: EC002600 - Box/housing for surface mounting on the wall/ceiling
ETIM-5.0: EC002600 - Box/housing for surface mounting on the wall/ceiling
ETIM-4.0: EC002600 - Box/housing for surface mounting on the wall/ceiling

NOTE

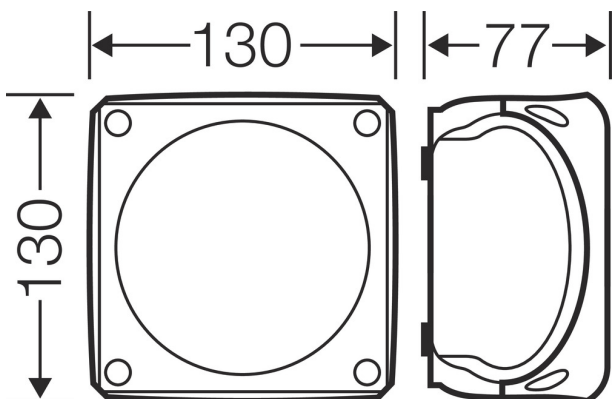
When using the sealing plugs supplied, the specified protection class is not changed.

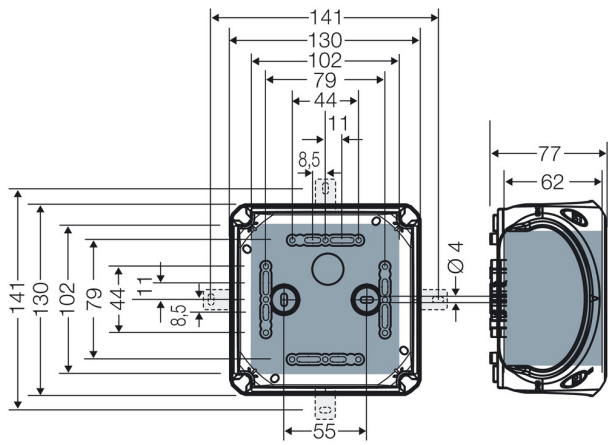
TENDER TEXT

Cable junction boxes in accordance with IEC 60670-22 with removable elastic membranes. Suitable for indoor and protected outdoor installation in accordance with DIN VDE 0100, part 737. For ambient temperatures maximum value +40 °C and minimum value -25 °C, with relative humidity of 50 % at +40 °C or 100 % at +25 °C. Material temperature resistance from -25 °C to +70 °C, burning behaviour according to IEC 60695-2-11 - glow wire test 750°C, UL Subject 94 V-2. Degree of protection in accordance with IEC 60529: IP 66. Rated insulation voltage: 1000 V. Material: thermoplastics, halogen- and silicone-free. Colour: black, RAL 9011. Lid fastening with quick fasteners, sealable without accessories. Plug-in external brackets for wall mounting included. Make: HENSEL ENYCASE DK.

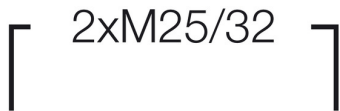
Nominal cross-section: 6 mm², dimensions HxWxD 130 x 130 x 77 mm

DRAWINGS





2x Ø9-21 mm



2x Ø9-21 mm 2x Ø9-21 mm
 2xM25/32 2xM25/32

