



# WT/WTO120 Trapezoidal Ceiling Bracket

0.0 Sheet thickness 0.0 mm

**E90** E-90 system

## Information

### Usage

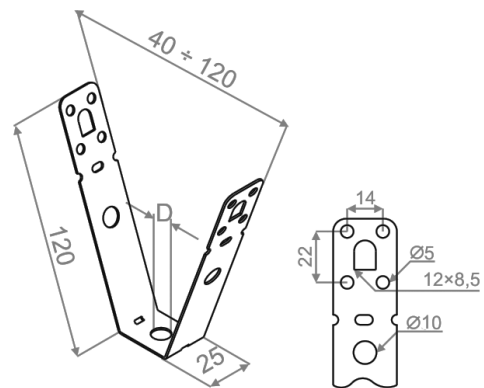
Mounting to structure, ceiling. Suspensions of cable routes, lamps, sections to typical trapezoidal sheets.

### Material

S - Sendzimir method galvanised steel PN-EN 10346:2015-09  
Available finishes: FP - galvanised according to the zinc flake method PN-EN ISO 10683:2018-11 E - stainless steel L - painting in standard RAL colour

### Additional information

– use the PWT... or PGM8 rod with washers and nuts for mounting to trapezoidal sheet metal



## Product versions

Symbol	Catalogue number	Size d (mm)	Maximum load Fmax(kN)	Quantity (pcs.)
WT/WTO120M6	730512	6	1.20	100
WT/WTO120M8	730612	8	1.20	100
WT/WTO120/11	730712	11	1.20	100



## Examples

