



WLS Hanger

1.5 Sheet thickness 1.5 mm

N New product **Ⓢ** fast assembly

Information

Usage

Suspending trays from the ceiling.

Material

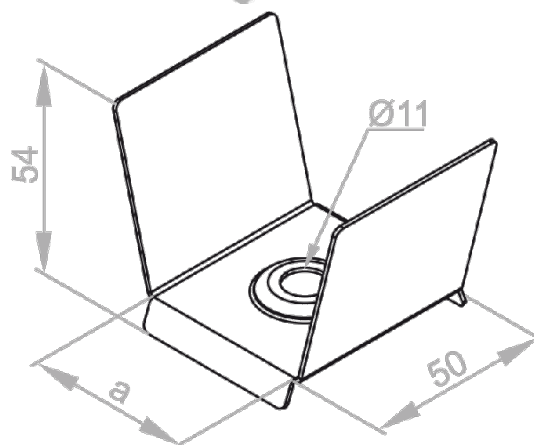
S - Sendzimir method galvanised steel PN-EN 10346:2015-09

Available finishes: F - hot dip galvanised steel PN-EN ISO 1461:2023-

02 E - stainless steel

Additional information

– quick mounting of the hanger on the threaded rod – possibility to adjust the position of the hanger on the bar up to 80 mm – quick and tool-free mounting hanger with the tray



Product versions

Symbol	Catalogue number	Width a (mm)	Height H (mm)	Weight 1 pc. (kg)	Quantity (pcs.)
WLS75	161807	75	54	0.07	100

Examples



Przykład zastosowania wieszaka WLS75

