



UT Fastening Bracket

2.0 Sheet thickness 2.0 mm

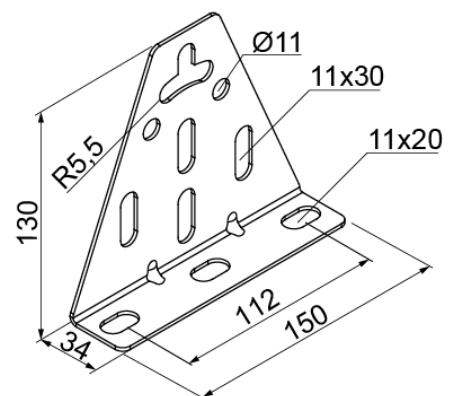
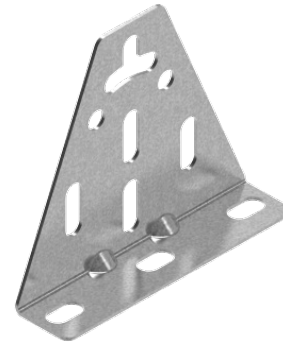
E90 E-90 system

Information

Installing trays and ladders at the proper distance from the wall.
Mounting vertical ladders.

Material

S - Sendzimir method galvanised steel PN-EN 10346:2015-09
Available finishes: F - hot dip galvanised steel PN-EN ISO 1461:2023-02
E - stainless steel L - painting in standard RAL colour



Product versions

Symbol	Catalogue number	Weight 1 pc. (kg)	Quantity (pcs.)
UT	751600	0.23	50

