



## PKLR75/3 Cover

0.7 Sheet thickness 0.7 mm

### Information

#### Usage

Protection of cables from damage.

#### Material

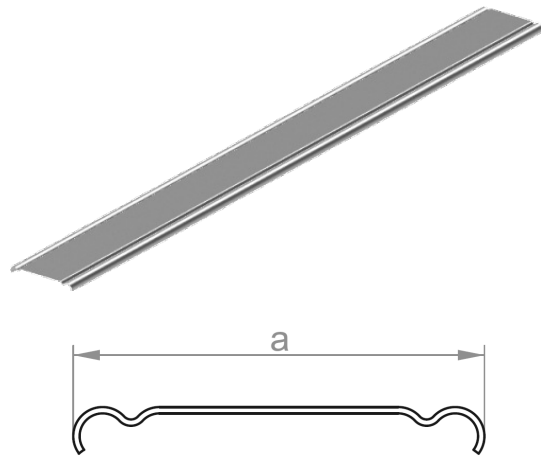
S - Sendzimir method galvanised steel PN-EN 10346:2015-09

Available finishes: F - hot dip galvanised steel PN-EN ISO 1461:2023-

02 E - stainless steel

#### Additional information

– single-sided painting in white – RAL 9010



### Product versions

Symbol	Catalogue number	Width a (mm)	Length L (mm)	Weight 1 pc. (kg)	Quantity in box (m.) (szt. / m. b.)
PKLR75	163507	75	3,000	0.34	4 / 12

### Examples

