



LGJH42 Articulated Connector

1.0 Sheet thickness 1.0 mm

E90 E-90 system

Information

Usage

Connecting cable routes.

Material

S - Sendzimir method galvanised steel PN-EN 10346:2015-09

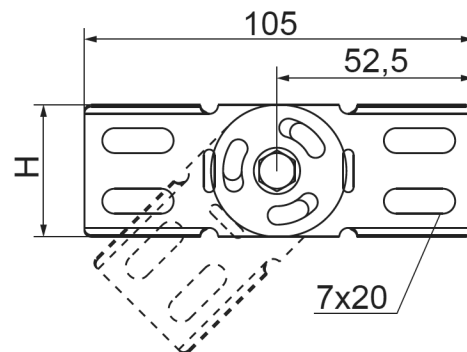
Available finishes: FP - galvanised according to the zinc flake method

PN-EN ISO 10683:2018-11 E - stainless steel L - painting in standard

RAL colour

Additional information

For the assembly use 4 sets of Screw Sets SGKM6x10 or SGM6x10



Product versions

Symbol	Catalogue number	Height H (mm)	Weight 1 pc. (kg)	Quantity (pcs.)
LGJH42	142100	35	0.04	100

