



## PKR... Cover

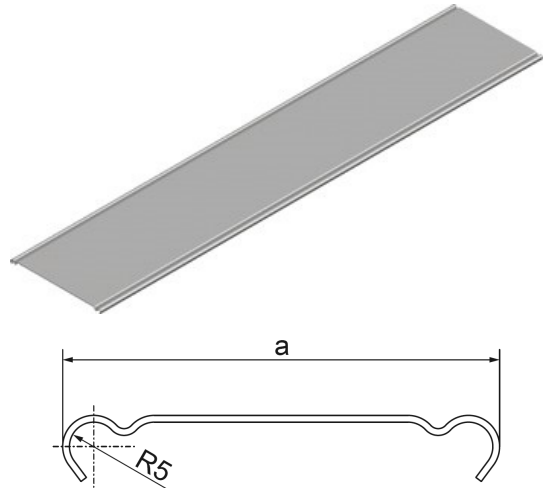
0.5 Sheet thickness 0.5 mm

### Information

Protecting cables against damage.  
Used in heavy dust indoor conditions.

#### Material

S - Sendzimir method galvanised steel PN-EN 10346:2015-09  
Available finishes: E - stainless steel L - painting in standard RAL colour



### Product versions

Symbol	Catalogue number	Width a (mm)	Length L (mm)	Weight (1m) (kg)	Quantity in box (m.) (szt. / m. b.)
PKR35/2	100303	35	2,000	0.18	20 / 40
PKR50/2	100305	50	2,000	0.28	20 / 40
PKR50/3	100405	50	3,000	0.28	20 / 60
PKR100/2	100310	100	2,000	0.45	10 / 20
PKR100/3	100410	100	3,000	0.45	10 / 30
PKR150/2	100315	150	2,000	0.67	6 / 12
PKR150/3	100415	150	3,000	0.67	6 / 18
PKR200/2	100320	200	2,000	0.86	6 / 12
PKR200/3	100420	200	3,000	0.86	6 / 18
PKR300/2	100330	300	2,000	1.25	4 / 8
PKR300/3	100430	300	3,000	1.25	4 / 12

