



PKL... Cover

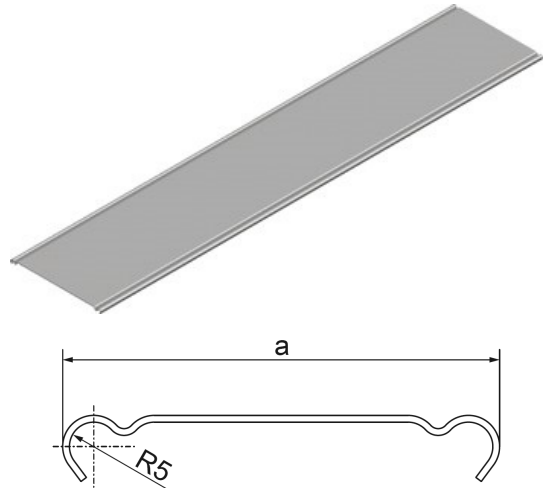
0.7 Sheet thickness 0.7 mm

Information

Protecting cables against damage.
Used in heavy dust indoor conditions.

Material

S - Sendzimir method galvanised steel PN-EN 10346:2015-09
Available finishes: F - hot dip galvanised steel PN-EN ISO 1461:2023-02
E - stainless steel L - painting in standard RAL colour



Product versions

Symbol	Catalogue number	Width a (mm)	Length L (mm)	Weight (1m) (kg)	Quantity in box (m.) (szt. / m. b.)
PKL35/2	100503	35	2,000	0.29	20 / 40
PKL50/2	100505	50	2,000	0.42	20 / 40
PKL50/3	100605	50	3,000	0.42	20 / 60
PKL100/2	100510	100	2,000	0.72	10 / 20
PKL100/3	100610	100	3,000	0.72	8 / 24
PKL150/2	100515	150	2,000	1.02	6 / 12
PKL150/3	100615	150	3,000	1.02	12 / 36
PKL200/2	100520	200	2,000	1.32	6 / 12
PKL200/3	100620	200	3,000	1.32	4 / 12
PKL300/2	100530	300	2,000	1.92	4 / 8
PKL300/3	100630	300	3,000	1.92	4 / 12
PKL400/2	100340	400	2,000	2.52	4 / 8
PKL400/3	100440	400	3,000	2.52	4 / 12

