



# BDFCH100...NMC Profile

2.0 Sheet thickness 2.0 mm

## Information

### Usage

Profile for determining the inclination angle of freestanding systems

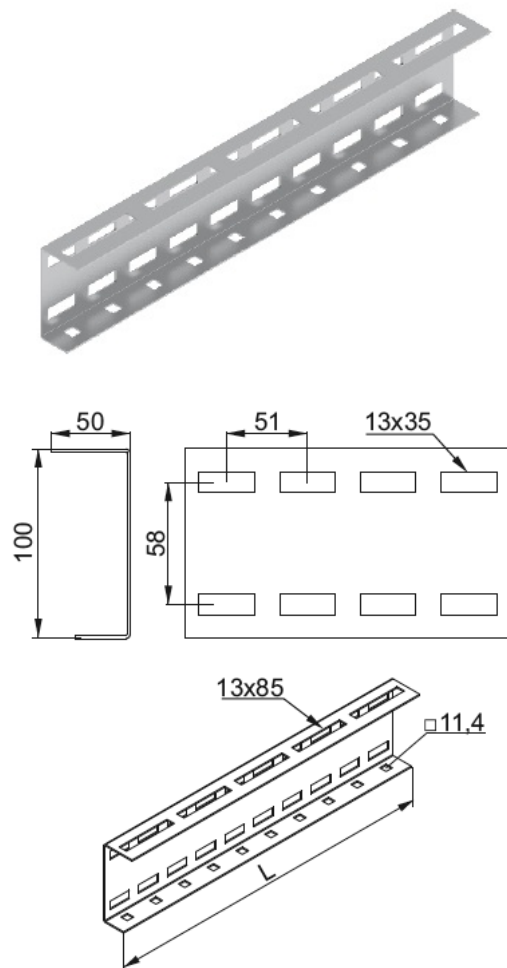
### Material

S350GD steel in:

Magnelis®, MagiZinc®, PosMAC coating

### Additional information

- extended perforation in the upper part allows for the installation of panels of various dimensions without the need to drill additional holes in the profile - dense and enlarged perforation in the side enables the installation of system within the angle range of 20-35 degrees - perforation in the lower part allows the bracing profiles to be screwed on without the need to use additional elements - made of Magnelis®-coated material with very high corrosion resistance For the assembly use SGKFM10x20PV + PW10F Screw Sets



## Product versions

Symbol	Catalogue number	Length L (mm)	Weight 1 pc. (kg)	Quantity (pcs.)
BDFCH100/2,75NMC	863725	2,754	6.94	1
BDFCH100/3,2NMC	863132	3,164	8.08	1

## Examples

