



# CMP41H41...MC Mounting Channel

1.5 Sheet thickness 1.5 mm

N New product E90 E-90 system

## Information

### Usage

Load-bearing system element for flat roofs, bracing of freestanding systems

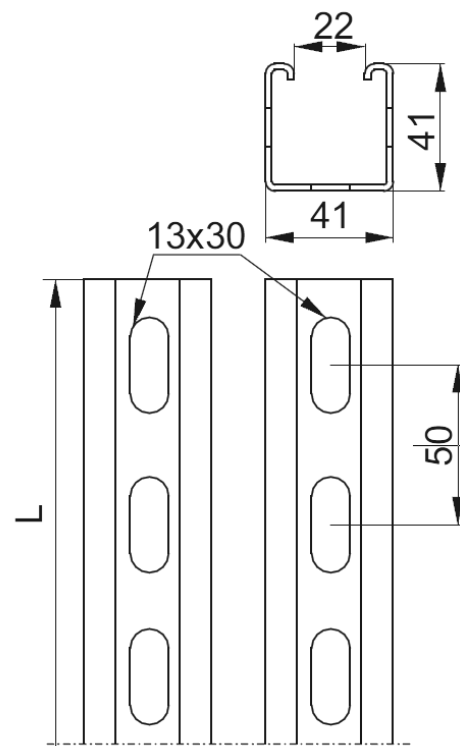
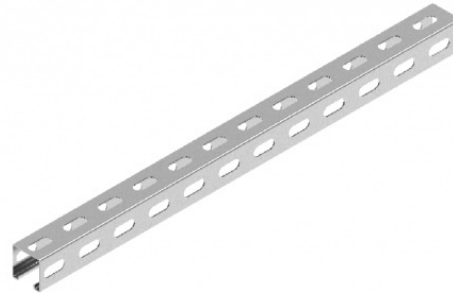
### Material

S250GD steel in:

Magnelis®, MagiZinc®, PosMAC coating

### Additional information

- produced in various lengths, which significantly extends the installation possibilities - a "double bend" on the open side of the channel section, which provides additional strength and stiffness to the element - made of steel in Magnelis® coating with very high corrosion resistance For the assembly use SGKFM10x20PV Screw Sets





## Product versions

Symbol	Catalogue number	Length L (mm)	Weight 1 pc. (kg)	Quantity (pcs.)
CMP41H41/02MC	6441025	200	0.26	30
CMP41H41/03MC	6441035	300	0.40	30
CMP41H41/04MC	6441045	400	0.53	30
CMP41H41/05MC	6441055	500	0.66	30
CMP41H41/06MC	6441065	600	0.80	30
CMP41H41/08MC	6441085	800	1.06	30
CMP41H41/09MC	6441095	900	1.19	30
CMP41H41/1MC	6441105	1,000	1.52	8
CMP41H41/1,2MC	856211	1,200	1.82	8
CMP41H41/1,5MC	856215	1,500	2.27	8
CMP41H41/1,7MC	851117	1,700	2.58	8
CMP41H41/2MC	6441205	2,000	3.03	8
CMP41H41/2,2MC	851122	2,200	3.34	8
CMP41H41/2,5MC	851125	2,500	3.79	8
CMP41H41/3MC	6441305	3,000	4.55	8
CMP41H41/3,5MC	851135	3,500	5.31	8
CMP41H41/3,7MC	852137	3,700	5.61	8
CMP41H41/6MC	6441605	6,000	9.10	8

## Examples

