



SAM8...E Screw

0.0 Sheet thickness 0.0 mm

Information

Usage

Fixing screws for aluminium clamps

Material

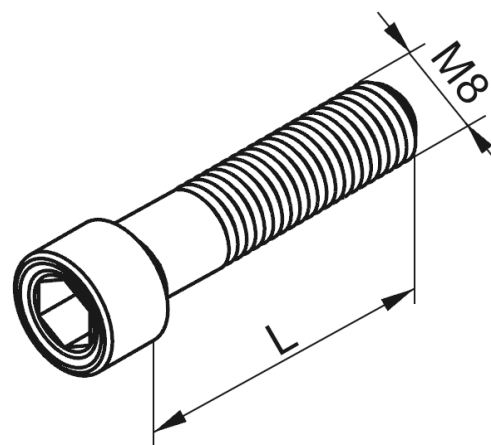
Stainless Steel

Additional information

Note:

Full threads are available in dimensions ≤ 35 mm.

Partial threads are available in dimensions ≥ 40 mm.



Product versions

Symbol	Catalogue number	Length L (mm)	Quantity (pcs.)
SAM8x20E	898520	20	100
SAM8x25E	898525	25	100
SAM8x30E	898530	30	100
SAM8x35E	898535	35	100
SAM8x40E	898540	40	100
SAM8x45E	898545	45	100



Examples

