



UPPM8MC Middle Holder for Freestanding Structures

0.0 Sheet thickness 0.0 mm

Information

Usage

Fixing PV panels to channels without drilling holes in the profile, in case that the mounting points of the clamps do not coincide with the factory Profile perforation

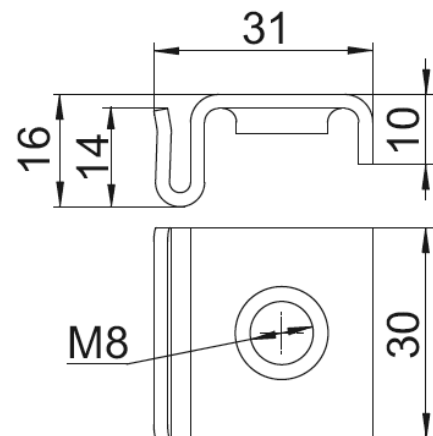
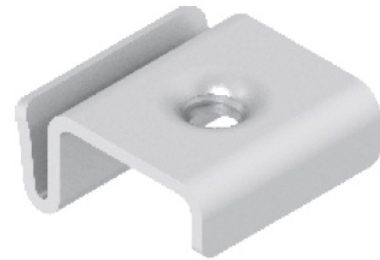
Material

S350GD steel in:

Magnelis®, MagiZinc®, PosMAC coating

Additional information

- made of Magnelis®-coated material with very high corrosion resistance - allows Installation without drilling in case there are no holes for the clamp mounting - variable setting - Installation on profile edge with thickness up to 3,0 mm - M8 threaded hole in UPPM8MC For the Installation of UPPMC use 1 x SAM8x...E Screw and NKZM8E Nut
For the Installation of UPPM8MC use 1 x SAM8x...E Screw



Product versions

Symbol	Catalogue number	Weight 1 pc. (kg)	Quantity (pcs.)
UPPM8MC	897311	0.03	100

Examples

