



# PUFK Middle holder CLICK

3.0 Sheet thickness 3.0 mm

## Information

### Usage

Fixing PV panels to aluminium profiles, aluminium mounting rails and UPDMC and UPG...MC holders

### Material

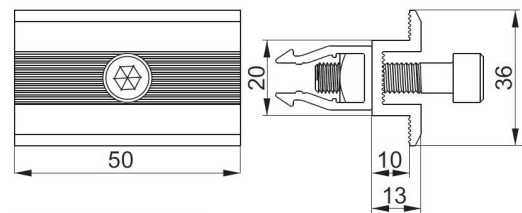
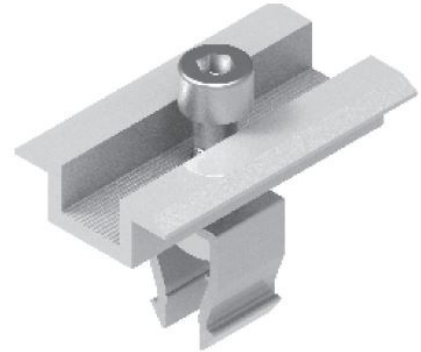
Aluminium (EN AW-6063)

Available finishes:

L- powder coating RAL9005

### Additional information

The set includes a clamp, SAM8... screw, NKWM8E square nut and click clip  
Advantages: - quick snap-in assembly - possibility of installation in SM... rails, PAL... profiles, UPDMC and UPG...MC holders



ZASTOSOWANIE

## Product versions

Symbol	Catalogue number	Weight 1 pc. (kg)	Quantity (pcs.)
PUFK	890300	0.04	50

## Examples



Montaż pośredniego uchwyty klik PUFK  
do szyny aluminiowej SM400

