



SMM...F Screw (set)

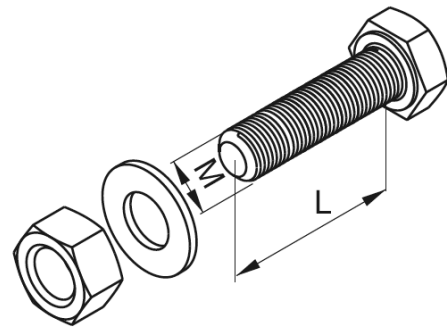
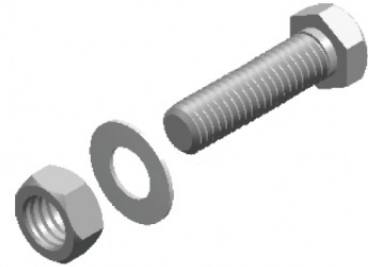
0.0 Sheet thickness 0.0 mm

Information

Connecting system elements

Material

Steel in zinc flake coating acc. to
PN-EN ISO 10683:2014-09



Product versions

Symbol	Catalogue number	Size M (mm)	Length L (mm)	Quantity (pcs.)
SMM8x16F	6505414	8	16	100
SMM8x60F	898660	8	60	100
SMM8x80F	650548	8	80	100
SMM10x20F	6508414	10	20	100

