



PCS70 Base Plate

0.0 Sheet thickness 0.0 mm

Information

Usage

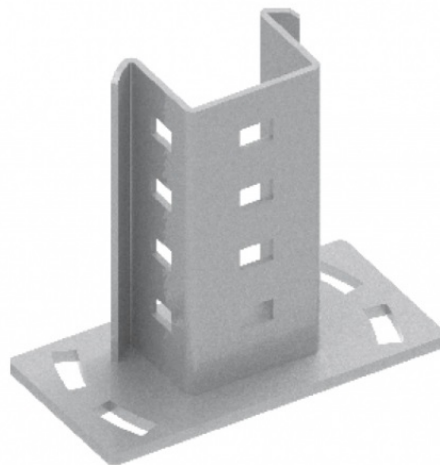
Assembly of vertical profile CT70H50... and CWT70H50... as a support post of the system to GSW76x...N ground screw

Material

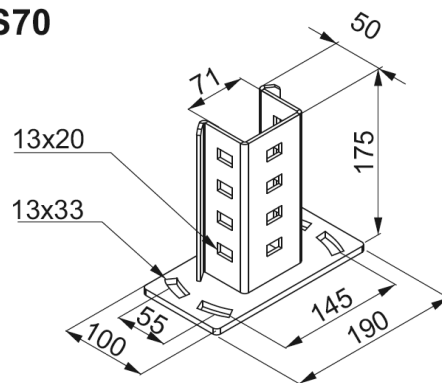
S235 steel, hot-dip galvanized acc. to PN-EN ISO 1461:2011

Additional information

- increased strength due to specially shaped reinforcing folds - holes in the base plate allowing adjustment of the position during assembly
For assembly to: - ground screw use 4 x SMM10x30F Screw Sets



PCS70



Product versions

Symbol	Catalogue number	Weight 1 pc. (kg)	Quantity (pcs.)
PCS70	751217	1.81	5

Examples



Montaż podstaw PCS70 do podłoża przy użyciu śrub do gruntu GSW..N

